

Item description/product images



Description

Material:

Housing, screen plastic.

Version:

Housing black, fibreglass reinforced.
Screen dustproof.

Note:

Position indicators are provided for installation in handwheels. They allow direct readout of set measurement values such as lengths, flow rates, speeds, etc, at a glance.

The measurement values are acquired according to the gravity principle. Conceived for use on horizontal spindles.

One revolution of the black pointer corresponds to one spindle rotation. In combination with the 5-place digital display, a very precise and easy read out of the position is thus obtained

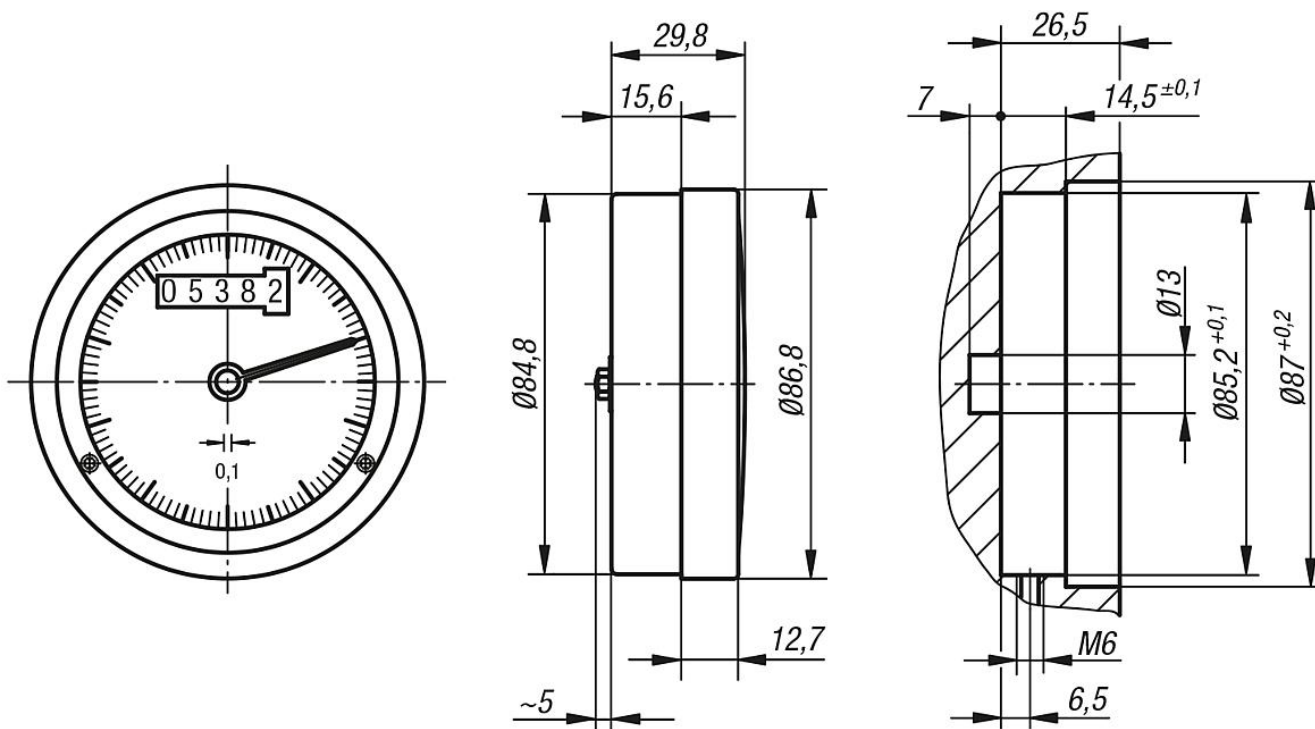
On request:

Other pitches

Accessory:

– Handwheels 21972

Drawings



Overview of items

Order No.	Size	Pitch	Indicator after one rotation	Suitable for
21962-800201	80	2	00002	handwheel size 80
21962-800301	80	3	00003	handwheel size 80
21962-800401	80	4	00004	handwheel size 80
21962-800501	80	5	00005	handwheel size 80
21962-801001	80	10	00010	handwheel size 80