

Item description/product images

**Description****Material:**

Housing plastic.
Hollow shaft steel.
Screen plastic.

Version:

Housing fibreglass reinforced.
Hollow shaft black oxidised.

Note:

Adjusting knobs with integrated position indicators allow direct readout of set measurement values such as lengths, flow rates, speeds, etc, at a glance. In addition, the display value can be selected per spindle rotation (corresponding spindle pitch), with the different display values being realized by a variable ratio transmission. The torque support allows the use of the adjusting knobs in any assembly position, even in case of high vibrations.

** At the 1st asterisk give torque support and at the 2nd asterisk give the count direction (see sample order "torque support, count direction").

Technical data:

- Counter consisting of 4 10-position dials + fine scale
- Height of figures about 6 mm
- Hollow shaft \varnothing 14 H7 mm
- Temperature resistant to 80 °C
- Oil and solvent resistant

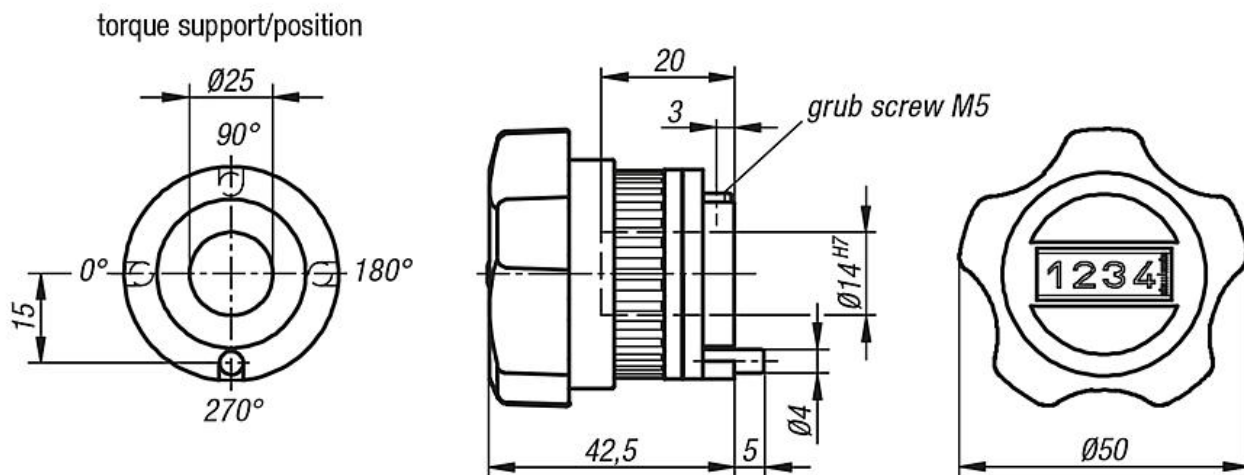
On request:

Other pitches

Accessory:

- Reducing bushes 21940

Drawings



Indicator after one rotation, decimal point position:	Torque support (1 - 4):																		
<table border="1"> <thead> <tr> <th>order number</th> <th>for pitch</th> <th>display</th> </tr> </thead> <tbody> <tr> <td>0150</td> <td>1.5</td> <td>001,5</td> </tr> <tr> <td>0200</td> <td>2</td> <td>002,0</td> </tr> <tr> <td>0400</td> <td>4</td> <td>004,0</td> </tr> <tr> <td>0500</td> <td>5</td> <td>005,0</td> </tr> <tr> <td>1000</td> <td>10</td> <td>010,0</td> </tr> </tbody> </table>	order number	for pitch	display	0150	1.5	001,5	0200	2	002,0	0400	4	004,0	0500	5	005,0	1000	10	010,0	
order number	for pitch	display																	
0150	1.5	001,5																	
0200	2	002,0																	
0400	4	004,0																	
0500	5	005,0																	
1000	10	010,0																	
e.g. 21952-01501112 0150 = 1.5 mm pitch 1 = decimal point at the 1 st position from the right	e.g. 21952-01501112 1 = 270° (standard)																		

Count direction (1 - 2):	Colour (1 - 2):				
	<table style="margin-left: auto; margin-right: auto;"> <tr> <td style="padding-right: 10px;">1</td> <td style="background-color: red; width: 30px; height: 20px;"></td> </tr> <tr> <td style="padding-right: 10px;">2</td> <td style="background-color: black; width: 30px; height: 20px;"></td> </tr> </table>	1		2	
1					
2					
e.g. 21952-01501112 1 = clockwise (ascending values) 2 = anticlockwise (ascending values)	e.g. 21952-01501112 1 = red 2 = black				

Overview of items

Order No.	Colour	Pitch	Indicator after one rotation	Decimal point in position	Count direction	torque support
21952-01501111	red	1,5	001,5	1	1	1
21952-01501121	red	1,5	001,5	1	2	1
21952-01501211	red	1,5	001,5	1	1	2
21952-01501221	red	1,5	001,5	1	2	2
21952-01501311	red	1,5	001,5	1	1	3
21952-01501321	red	1,5	001,5	1	2	3
21952-01501411	red	1,5	001,5	1	1	4
21952-01501421	red	1,5	001,5	1	2	4
21952-02001111	red	2	002,0	1	1	1
21952-02001121	red	2	002,0	1	2	1
21952-02001211	red	2	002,0	1	1	2
21952-02001221	red	2	002,0	1	2	2
21952-02001311	red	2	002,0	1	1	3
21952-02001321	red	2	002,0	1	2	3
21952-02001411	red	2	002,0	1	1	4
21952-02001421	red	2	002,0	1	2	4
21952-04001111	red	4	004,0	1	1	1
21952-04001121	red	4	004,0	1	2	1
21952-04001211	red	4	004,0	1	1	2
21952-04001221	red	4	004,0	1	2	2
21952-04001311	red	4	004,0	1	1	3
21952-04001321	red	4	004,0	1	2	3
21952-04001411	red	4	004,0	1	1	4
21952-04001421	red	4	004,0	1	2	4
21952-05001111	red	5	005,0	1	1	1
21952-05001121	red	5	005,0	1	2	1
21952-05001211	red	5	005,0	1	1	2
21952-05001221	red	5	005,0	1	2	2
21952-05001311	red	5	005,0	1	1	3
21952-05001321	red	5	005,0	1	2	3
21952-05001411	red	5	005,0	1	1	4
21952-05001421	red	5	005,0	1	2	4
21952-10001111	red	10	010,0	1	1	1
21952-10001121	red	10	010,0	1	2	1
21952-10001211	red	10	010,0	1	1	2
21952-10001221	red	10	010,0	1	2	2
21952-10001311	red	10	010,0	1	1	3
21952-10001321	red	10	010,0	1	2	3
21952-10001411	red	10	010,0	1	1	4
21952-10001421	red	10	010,0	1	2	4
21952-01501112	black	1,5	001,5	1	1	1
21952-01501122	black	1,5	001,5	1	2	1
21952-01501212	black	1,5	001,5	1	1	2
21952-01501222	black	1,5	001,5	1	2	2
21952-01501312	black	1,5	001,5	1	1	3
21952-01501322	black	1,5	001,5	1	2	3
21952-01501412	black	1,5	001,5	1	1	4
21952-01501422	black	1,5	001,5	1	2	4
21952-02001112	black	2	002,0	1	1	1
21952-02001122	black	2	002,0	1	2	1
21952-02001212	black	2	002,0	1	1	2
21952-02001222	black	2	002,0	1	2	2
21952-02001312	black	2	002,0	1	1	3
21952-02001322	black	2	002,0	1	2	3
21952-02001412	black	2	002,0	1	1	4
21952-02001422	black	2	002,0	1	2	4
21952-04001112	black	4	004,0	1	1	1
21952-04001122	black	4	004,0	1	2	1
21952-04001212	black	4	004,0	1	1	2
21952-04001222	black	4	004,0	1	2	2
21952-04001312	black	4	004,0	1	1	3
21952-04001322	black	4	004,0	1	2	3
21952-04001412	black	4	004,0	1	1	4
21952-04001422	black	4	004,0	1	2	4

Overview of items

Order No.	Colour	Pitch	Indicator after one rotation	Decimal point in position	Count direction	torque support
21952-05001112	black	5	005,0	1	1	1
21952-05001122	black	5	005,0	1	2	1
21952-05001212	black	5	005,0	1	1	2
21952-05001222	black	5	005,0	1	2	2
21952-05001312	black	5	005,0	1	1	3
21952-05001322	black	5	005,0	1	2	3
21952-05001412	black	5	005,0	1	1	4
21952-05001422	black	5	005,0	1	2	4
21952-10001112	black	10	010,0	1	1	1
21952-10001122	black	10	010,0	1	2	1
21952-10001212	black	10	010,0	1	1	2
21952-10001222	black	10	010,0	1	2	2
21952-10001312	black	10	010,0	1	1	3
21952-10001322	black	10	010,0	1	2	3
21952-10001412	black	10	010,0	1	1	4
21952-10001422	black	10	010,0	1	2	4