

Item description/product images

**Description****Material:**

Housing polyamide 6.
 Hollow shaft steel.
 Screen plastic.
 Grub screw steel.

Version:

Impact-resistant housing.
 Hollow shaft black oxidised.
 Grub screw black.
 Dial black, digits white.

Note:

Position indicators allow direct reading of input measurement values at a glance. In addition, the value indicated per spindle rotation (corresponding spindle pitch) can be selected and the various indicator values are realised by a transmission gear. The position indicators are distinguished by their small construction with very clear display. They are especially suitable for small spindle distances and small shaft diameters and have a torque support that is positioned in a hole on the side.

** At the 1st asterisk give assembly position and at the 2nd asterisk give the count direction (see sample order "assembly position, count direction").

Technical data:

- Counter consisting of 3 10-position dials
- Height of figures about 4 mm
- Hollow shaft \varnothing 10 H7 mm
- Temperature resistant to 80 °C
- Oil and solvent resistant

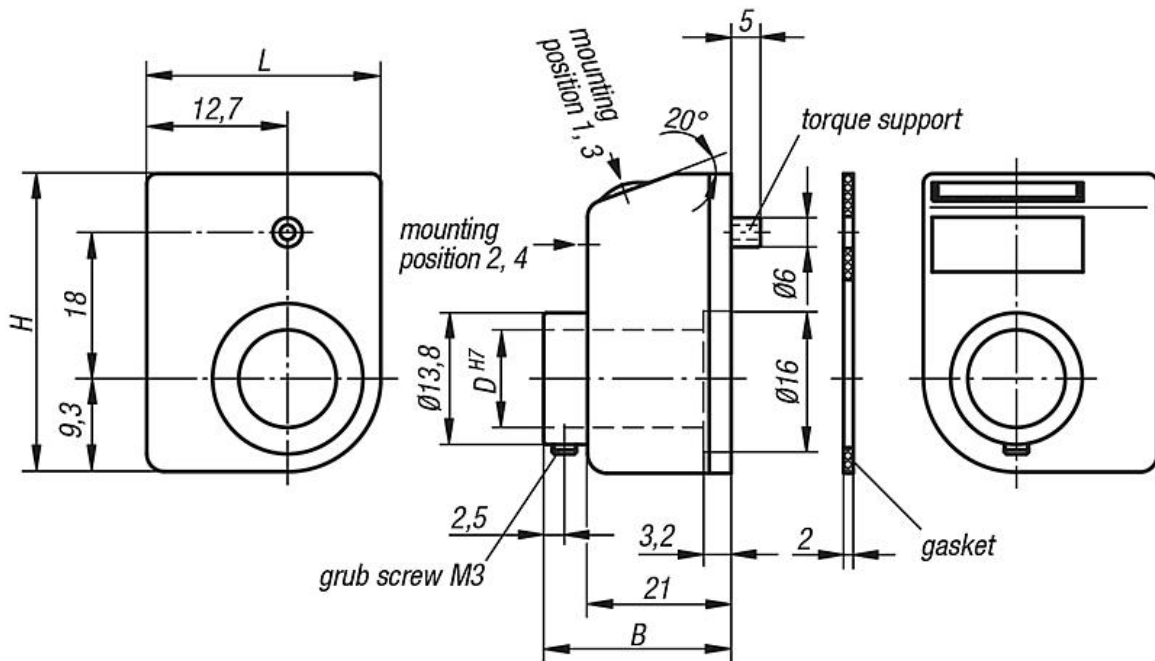
On request:


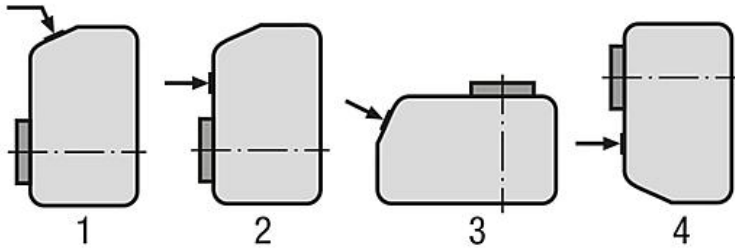
- Stainless steel driveshaft
- Indicator for inch

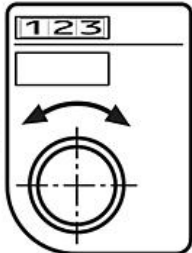

Accessory:

- Reducing bushes 21940

Drawings



Display after one rotation, with decimal point:	Mounting position (1 - 4):
 <p>e. g. 21901-01001111 0100 = 1mm increments 1 = decimal places</p>	 <p>e. g. 21901-01001111 = mounting position 1</p>

Count direction (1 - 2):	Colour (1 - 2):
 <p>e. g. 21901-01001111 1 = clockwise (ascending values) 2 = anticlockwise (ascending values)</p>	 <p>e. g. 21901-01001111 1 = orange 2 = black</p>

Overview of items

Order No. orange RAL 2004	Order No. black	B	D	H	L	Pitch	Indicator after one rotation	Decimal point in position	max. rpm
21901-01001**1	21901-01001**2	26	10	33	22	1	01,0	1	500
21901-02001**1	21901-02001**2	26	10	33	22	2	02,0	1	500
21901-02501**1	21901-02501**2	26	10	33	22	2,5	02,5	1	500
21901-03001**1	21901-03001**2	26	10	33	22	3	03,0	1	500
21901-04001**1	21901-04001**2	26	10	33	22	4	04,0	1	375
21901-05001**1	21901-05001**2	26	10	33	22	5	05,0	1	300
21901-06001**1	21901-06001**2	26	10	33	22	6	06,0	1	250
21901-08001**1	21901-08001**2	26	10	33	22	8	08,0	1	180
21901-10001**1	21901-10001**2	26	10	33	22	10	10,0	1	150