

## Item description/product images



## Description

**Material:**

Ball-bearing steel 100Cr6.  
Seal, rubber NBR.

**Version:**

Sealed on both sides with a spherical outer ring.  
Can be re-lubricated.

**Note:**

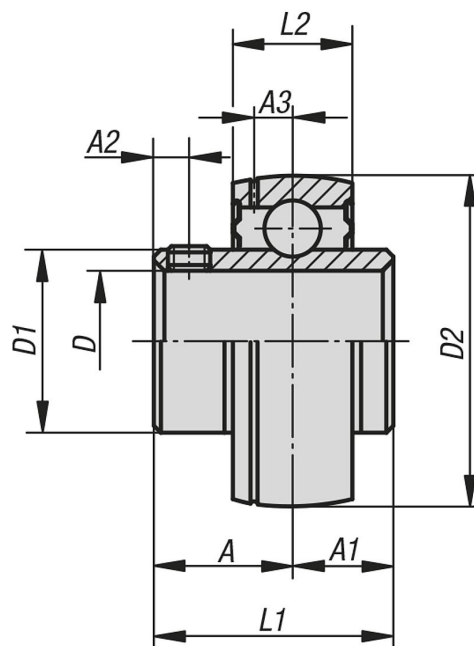
The internal construction of the insert bearings corresponds to that of standard Series 6200 and 6300 radial ball bearing. However, they have wider inner rings for easier fastening on shafts. The inner rings are manufactured with a plus tolerance. This results in transition or press fits when using shafts with h-tolerances. The shaft is secured by 2 grub screws positioned 120° apart on the inner ring.

The insert bearings are ready to install and are permanently lubricated with a suitable ball bearing grease. In normal applications, re-lubrication is not necessary.

**Temperature range:**

-15 °C to +100 °C.

## Drawings



## Overview of items

Order No.	Bearing	D	A	A1	A2	A3	D1	D2	L1	L2	Grub screw	Dynamic base loads kN	Static base loads kN
24230-20204	UC 204	20	18,3	12,7	4,8	3,7	29	47	31	17	M6x0,75	9,88	6,2
24230-25205	UC 205	25	19,7	14,3	5	3,9	34	52	34	17	M6x0,75	10,78	6,98
24230-30206	UC 206	30	22,2	15,9	5	5	40,5	62	38,1	19	M6x0,75	14,97	10,04
24230-35207	UC 207	35	25,4	17,5	7	5,7	48	72	42,9	20	M8x1	19,75	13,67
24230-40208	UC 208	40	30,2	19	8	6,2	53	80	49,2	21	M8x1	22,71	15,94

## Overview of items

Order No.	Bearing	D	A	A1	A2	A3	D1	D2	L1	L2	Grub screw	Dynamic base loads kN	Static base loads kN
24230-45209	UC 209	45	30,2	19	8	6,4	57,3	85	49,2	22	M8x1	24,36	17,71
24230-50210	UC 210	50	32,6	19	10	6,5	63	90	51,6	24	M10x1,25	26,98	19,84
24230-55211	UC 211	55	33,4	22,2	10	7	70	100	55,6	25	M10x1,25	33,37	25,11
24230-60212	UC 212	60	39,7	25,4	10	7,6	77	110	65,1	27	M10x1,25	36,74	27,97