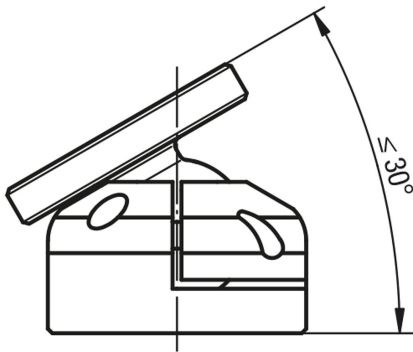


Item description/product images

**Description****Material:**

Aluminium alloy.

Version:

anodised.

Note:

Suitable for 21100, 21102, 21120, 21122, 21150, 21160, 21162 and 21180.

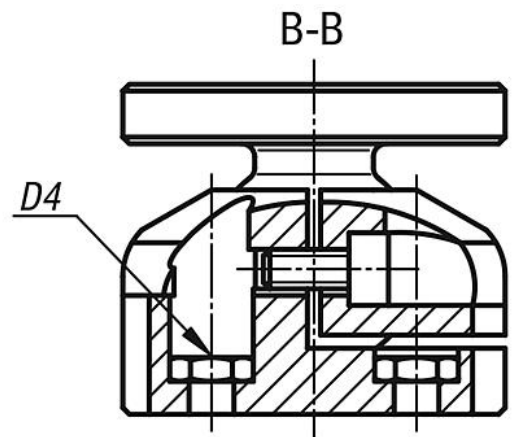
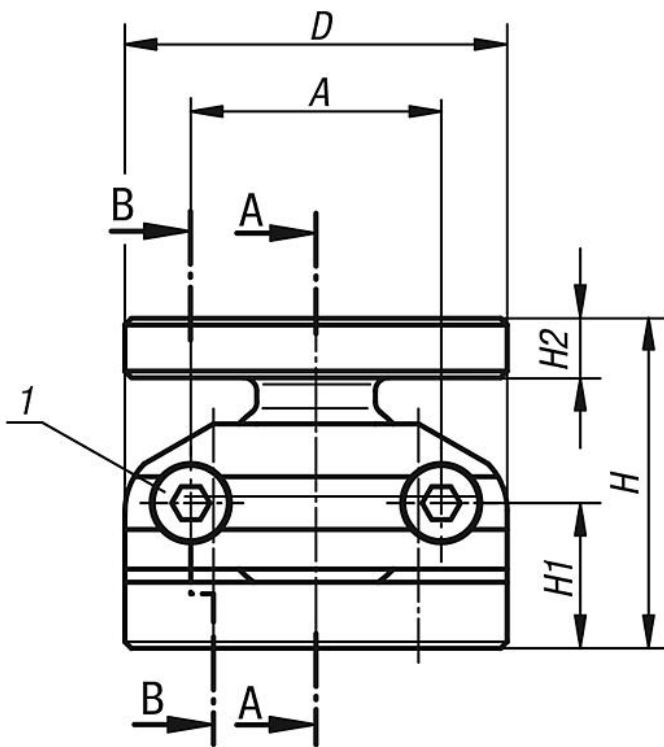
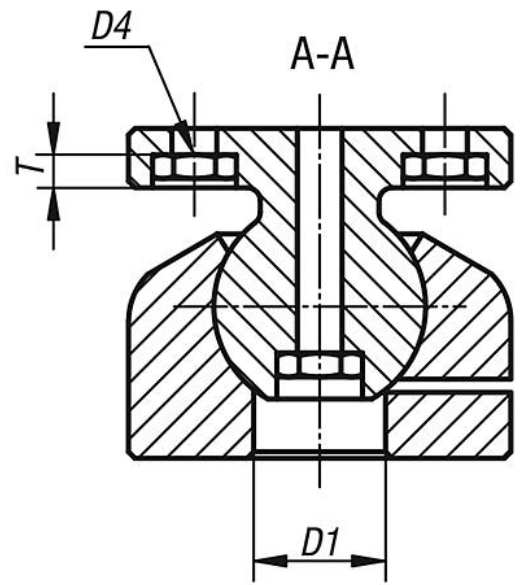
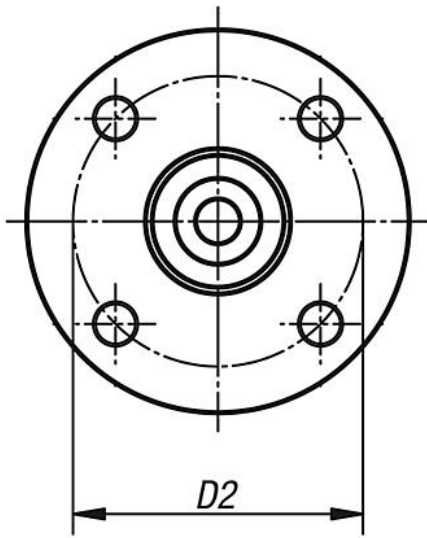
Drawing reference:

all (9x) counterbores to DIN 974-1 (D4),

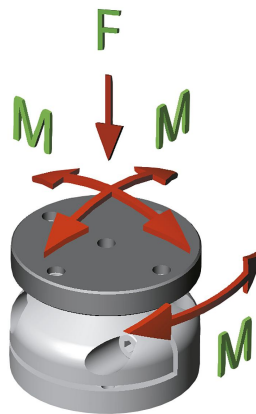
all (9x) nuts DIN 934 M (D4)

By pressing out the nuts countersinks for socket screws become available allowing both fastening variations to be used.

1) D3 clamping screw (2x)



Drawings



Overview of items

| Order No. | A | D | D1 | D2 | D3 | D4 | H | H1 | H2 | T | F N | M Nm | Tightening torque of clamping screws (Nm) |
|-----------|----|-----|----|-----|-----|----|-----|------|-----|-----|--------|---------|---|
| 21170-04 | 19 | 29 | 10 | 22 | M3 | 3 | 25 | 11 | 5,5 | 3,5 | 300 | 3 | 1,11 |
| 21170-08 | 30 | 46 | 13 | 36 | M4 | 4 | 35 | 15,5 | 7 | 4,5 | 700 | 8 | 2,55 |
| 21170-12 | 46 | 75 | 24 | 60 | M6 | 6 | 54 | 23 | 11 | 6,6 | 2200 | 30 | 8,6 |
| 21170-25 | 92 | 150 | 40 | 130 | M10 | 10 | 105 | 49 | 20 | 11 | 9000 | 150 | 42 |