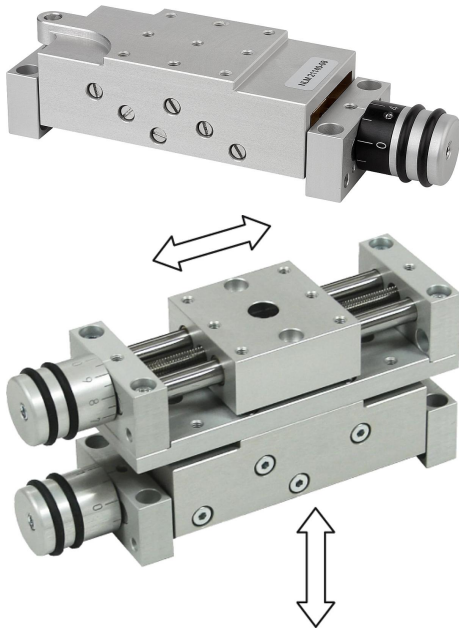


Item description/product images

**Description****Material:**

Vertical stage, bearing blocks and scale knob Al alloy, anodised.

Guiding columns stainless steel, ground.

Spindle stainless steel, rolled thread.

Guide bearing, maintenance-free

Version:

Guide backlash < 0.05 mm.

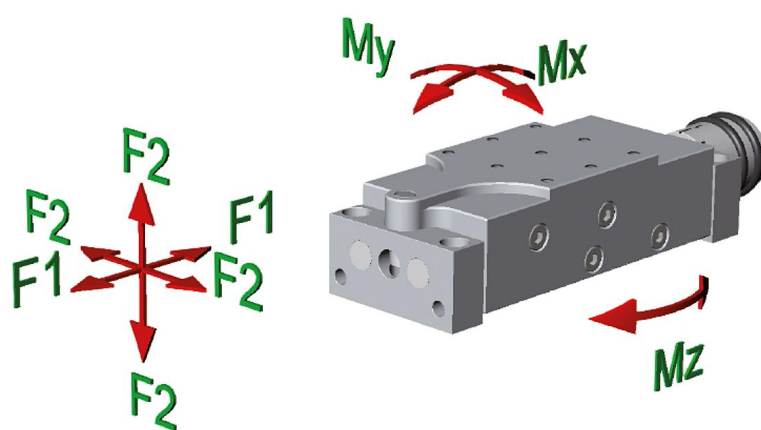
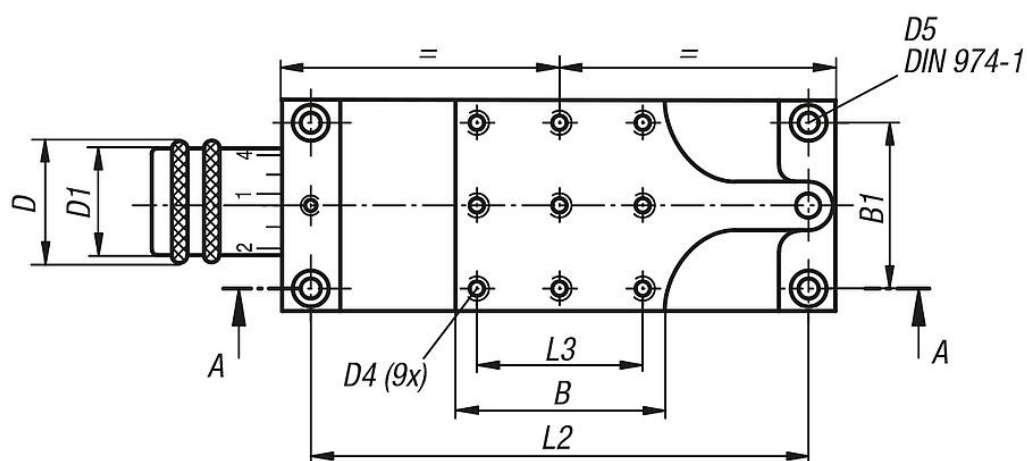
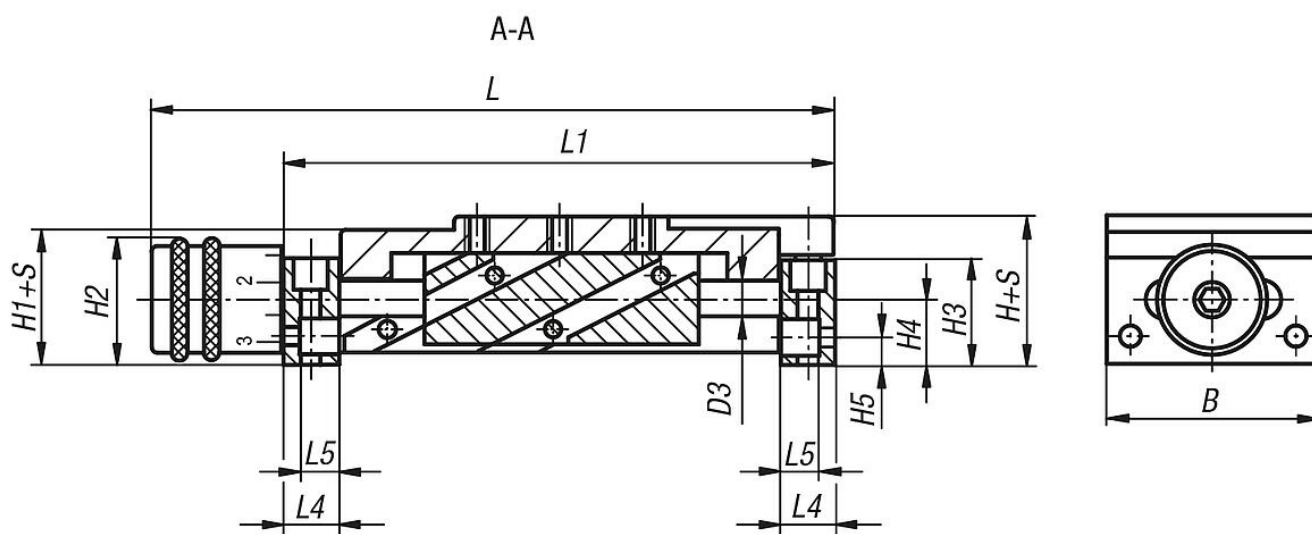
Spindle self-locking, with additional lock.

Note:

For positioning the height of all types of components and assemblies e.g. stops, sensors, limit switches, tables, cameras, entire assemblies etc. The height of the stage is adjusted manually by turning the scale knob. 1 increment of the scale equals 0.1 mm travel.

Within the respective sizes, the vertical stages can be easily combined using the modular principle.

Drawings



Overview of items

Order No.	B	B1	D	D1	D3	D4	D5	H	H1	H2	H3	H4	H5	L	L1	L2	L3	L4	L5	Travel S	F1 N	F2 N	Mx Nm	My Nm	Mz Nm
21140-04	29	22	13	12	4	M3	3	19	17	14	13	8	4	84,5	70	62	22	8	6	4	30	50	0,5	0,5	2
21140-08	46	36	26	23	8	M4	4	32	29	27	23	14	6	148,5	120	108	36	12	8,5	8	80	100	2,5	2,5	5
21140-12	75	60	26	23	12	M6	6	38	36	28,5	27	15,5	7	209	180	165	60	15	11	12	150	200	10	10	20
21140-25	150	130	52	46	25	M10	10	68	64	54	52	28	13	347	290	265	130	25	18	25	500	700	50	50	100

