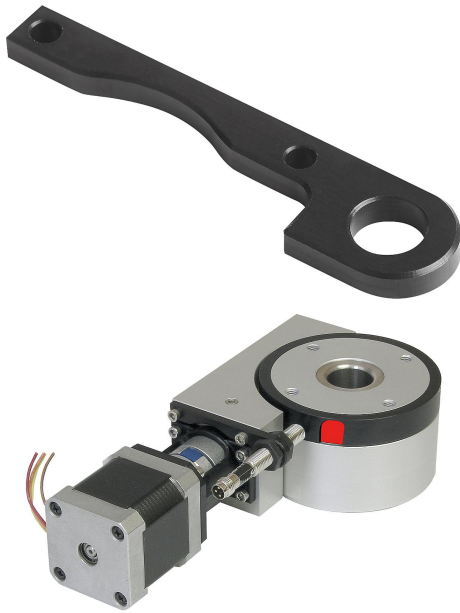


## Item description/product images



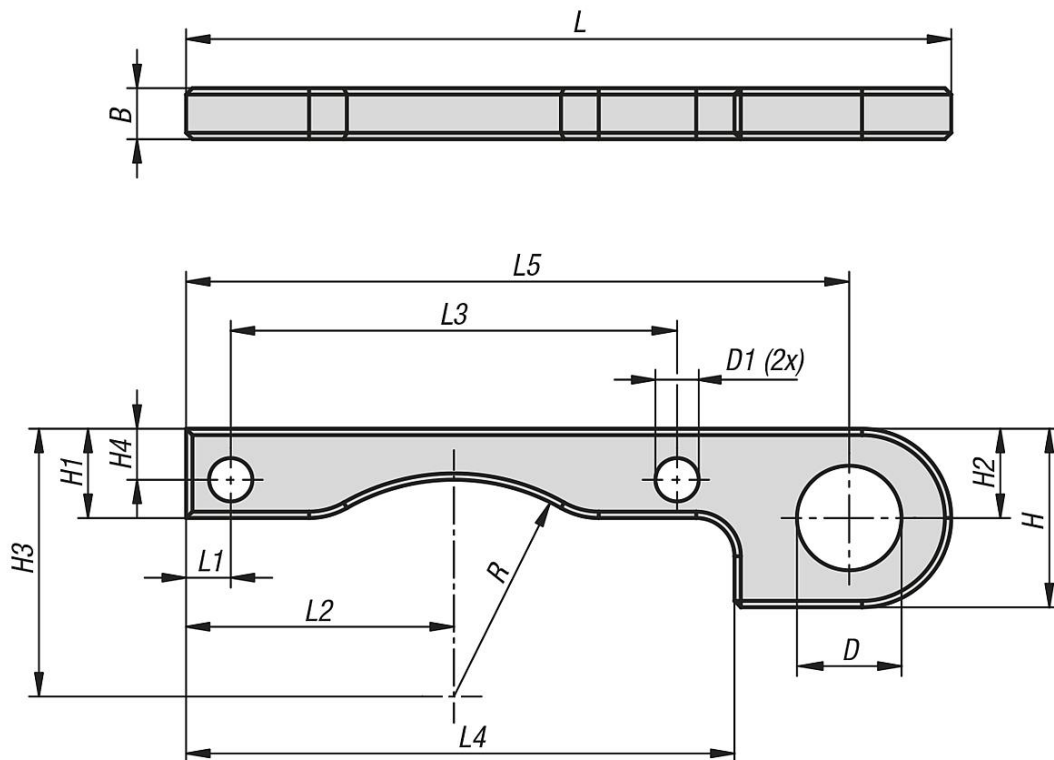
## Description

**Material:**  
Aluminium alloy.

**Version:**  
Black anodised

**Note:**  
The sensor holder is used to fasten inductive proximity switches (e.g. 83000-10-050) to the rotary positioning stages with electric drive allowing the switch point to be positioned anywhere. The ring with the switch slot can be freely rotated counter to the rotary disc.

## Drawings



## Overview of items

Order No.	Size	B	D	D1	H	H1	H2	H3	H4	L	L1	L2	L3	L4	L5	R
21094-12	12	4	8,2	3,2	14	7	7	21	4	60	3,5	21	35	43	52	17

