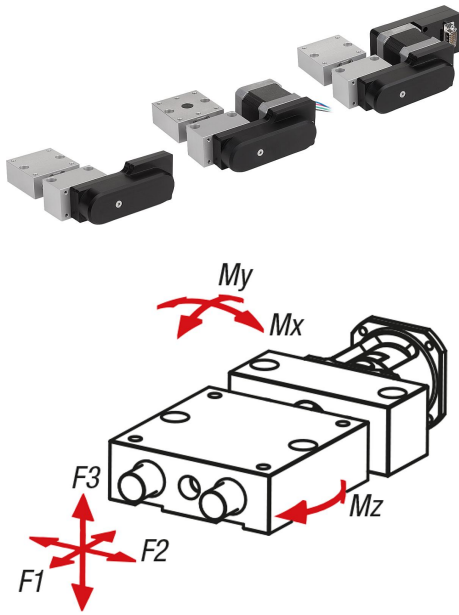


Item description/product images



Description

Material:

Bearing block and carriage aluminium alloy.
 Guide column and threaded spindle stainless steel.
 Plain bearing for guide columns and spindle nut high-quality special plastic.
 Toothed belts neoprene, profile 3M.

Version:

Aluminium alloy anodised.
 Stainless steel hardened and ground.
 Threaded spindle with ball bearing.

Note for ordering:

The unit is supplied with the position of the drive unit, cable outlet or control unit as shown in the drawing.

Note:

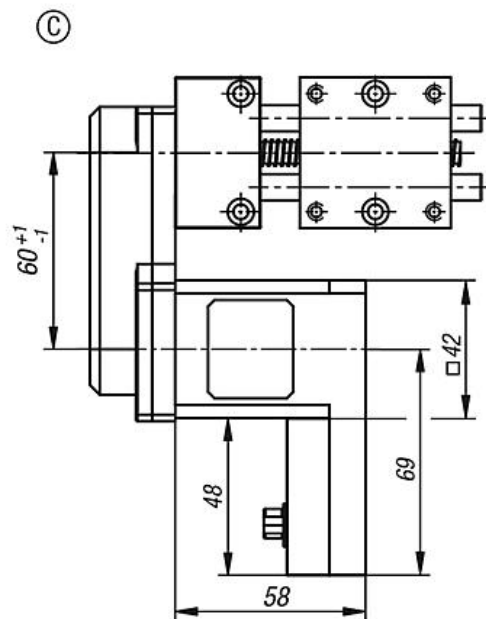
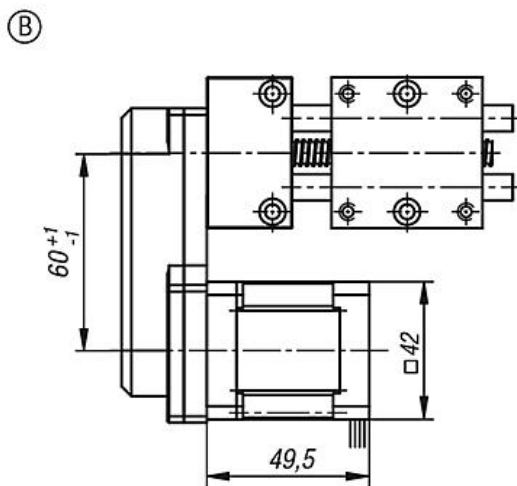
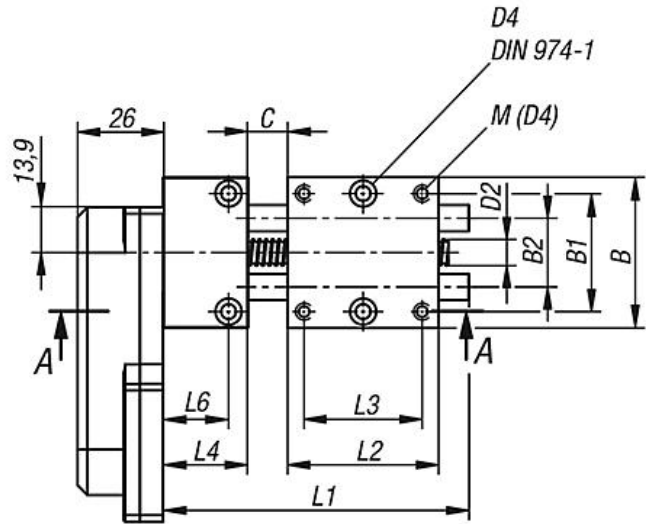
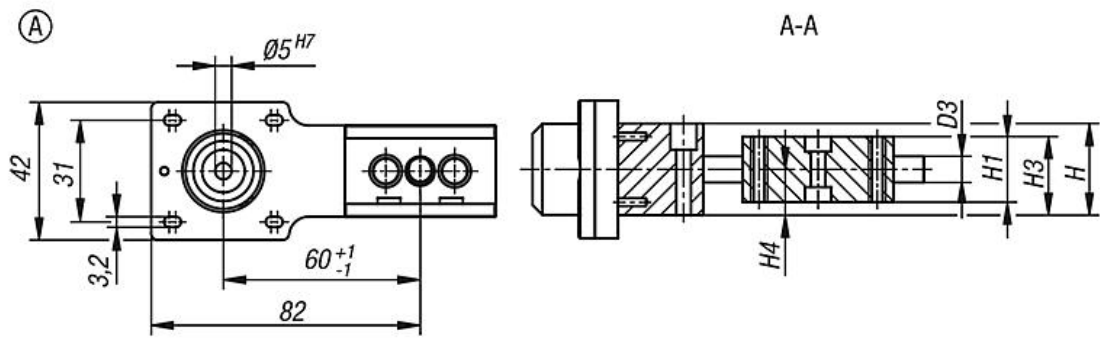
Positioning stages for motorised adjustment and positioning tasks. The plain bearings and spindle nuts are suitable for dry running, however lubrication with a grease for plastic plain bearings is recommended. The suitable programming software and interface cable for the stepper motor with positioning control are available as accessories (25000-15).

The stepper motor with a resolution of 200 increments per rotation allows a single direction calculated positioning accuracy of 0.005 mm. The absolute single direction positioning accuracy is 0.01 mm. The system can be operated with a duty cycle of 100%.

Can be combined with all other parts of the same size.

Technical data:

Threaded spindle pitch: 2 mm
 Axial backlash of threaded spindle: <0.04 mm
 Radial play of guides: <0.02 mm
 Max. input speed: 600 rpm
 Max. travel speed: 20 mm/s
 Max. duty cycle: 100 %
 Application temperature: +10 °C to +50 °C



Overview of items

Order No.	Size	Form	Form definition
21081-0810	8	A	without motor
21081-08111	8	B	with stepper motor
21081-08121	8	C	stepper motor with control
21081-1210	12	A	without motor
21081-12111	12	B	with stepper motor
21081-12121	12	C	stepper motor with control

Specifications

Size	B	B1	B2	D2	D3	D4	H	H1	H3	H4	L1	L2	L3	L4	L6	Travel S
8	46	36	21	8x2	8	4	28	20	24	14	93,5	46	36	26	20	24
12	75	60	38	8x2	12	6	29,5	25	28	15,5	133	75	60	30	15	30

Force tables

Size	F1 N	F2 N	F3 N	Mx Nm	My Nm	Mz Nm
8	60	60	30	0,5	0,5	2
12	60	100	60	0,8	0,8	3