

## Item description/product images

**Description****Material:**

Housing, grey cast iron.

Bearing, ball-bearing steel 100Cr6.

Seal, rubber NBR.

**Version:**

Housing, painted.

**Note:**

Pillow block bearings consist of a sealed single-row ball bearing with a spherical outer ring which is mounted in a housing. Because of the spherical outer surface of the bearing, shaft misalignment can be compensated for. The bearings are manufactured with a plus tolerance. This results in transition or press fits when using shafts with h-tolerances. The shaft is secured by grub screws on the inner ring.

In normal applications, pillow block bearings are maintenance-free due to the lifetime lubrication. In difficult environmental conditions re-lubrication can be carried out over the grease nipple.

All housing dimensions are nominal dimensions for which the usual casting tolerances must be taken into consideration.

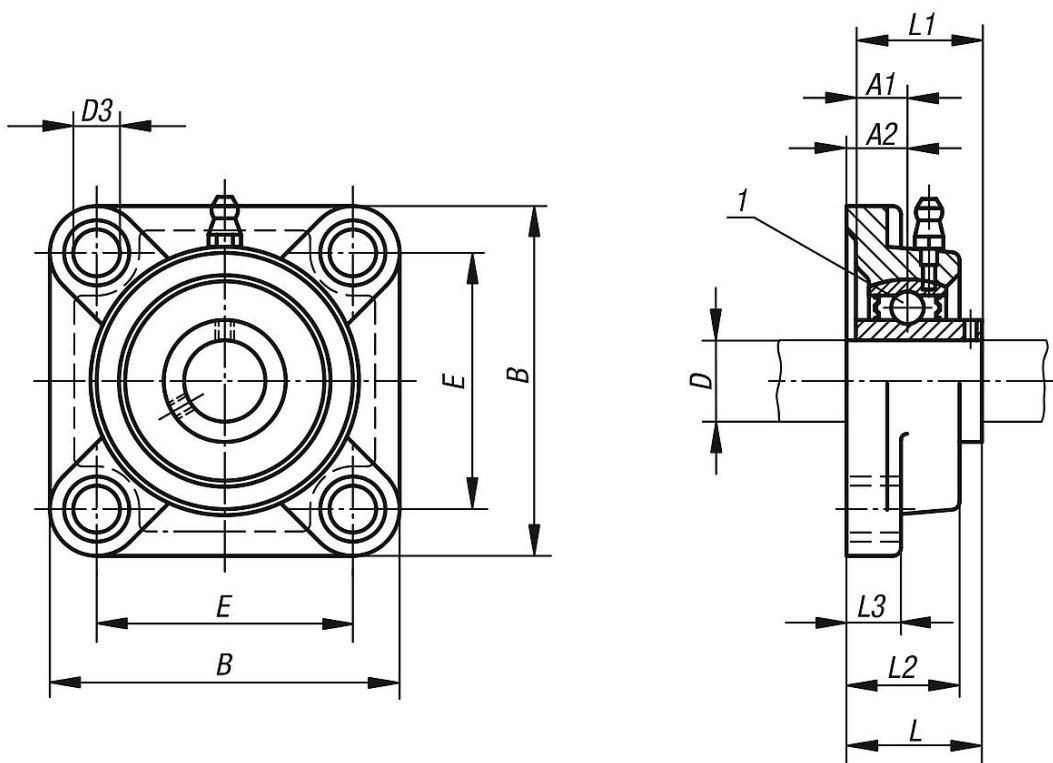
**Temperature range:**

-15 °C to +100 °C.

**Drawing reference:**

1) ball bearing

Drawings



Overview of items

Order No.	Bearing	Housing	D	A1	A2	B	D3	E	L	L1	L2	L3	$\alpha$	Fastening screw
24210-12201	UC 201	F 201	12	12,7	15	86	12	64	33,3	31	25,5	12	10°	M10
24210-15202	UC 202	F 202	15	12,7	15	86	12	64	33,3	31	25,5	12	10°	M10
24210-17203	UC 203	F 203	17	12,7	15	86	12	64	33,3	31	25,5	12	10°	M10
24210-20204	UC 204	F 204	20	12,7	15	86	12	64	33,3	31	25,5	12	10°	M10
24210-25205	UC 205	F 205	25	14,3	16	95	12	70	35,8	34	27	14	10°	M10
24210-30206	UC 206	F 206	30	15,9	18	108	12	83	40,2	38,1	31	14	10°	M10
24210-35207	UC 207	F 207	35	17,5	19	117	14	92	44,4	42,9	34	16	10°	M12
24210-40208	UC 208	F 208	40	19	21	130	16	102	51,2	49,2	36	16	10°	M14
24210-45209	UC 209	F 209	45	19	22	137	16	105	52,2	49,2	38	18	10°	M14
24210-50210	UC 210	F 210	50	19	22	143	16	111	54,6	51,6	40	18	10°	M14
24210-55211	UC 211	F 211	55	22,2	25	162	19	130	58,4	55,6	43	20	10°	M16
24210-60212	UC 212	F 212	60	25,4	29	175	19	143	68,7	65,1	48	20	10°	M16