

Item description/product images



Description

Material:

Housing and cap thermoplastic polyamide 66.
Air filter polyurethane (PU foam).
Flat seal NBR, Shore 70.

Version:

Black housing.
Red cap.
Filter mesh 40 μm .

Temperature range:

Temperature resistant with oil up to 100°C.

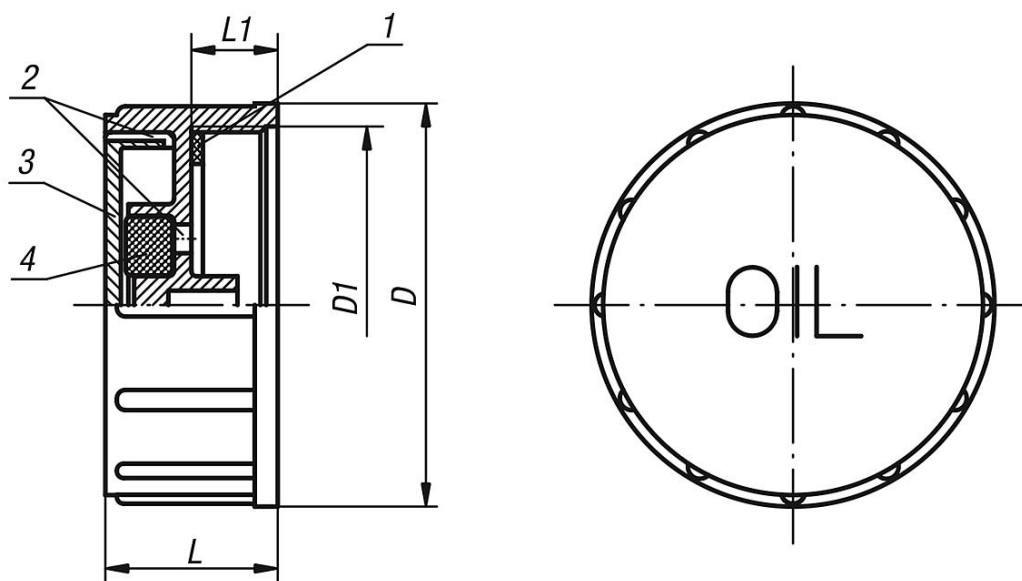
On request:

Cap in yellow for diesel oil.

Drawing reference:

- 1) flat seal
- 2) vent
- 3) cap
- 4) air filter

Drawings



Overview of items

Order No.	D	D1	L	L1
28032-67200	67,5	G2	30	15
28032-676020	67,5	M60x2	30	15

