

Item description/product images



Description

Material:

Cast aluminium.
DIN 7984 screws and DIN 985 nuts, steel.

Version:

Vibratory ground.
Screws and nuts electro zinc-plated.

Note:

Tube swivel clamps can be infinitely rotated through 180°.

* Elongated hole

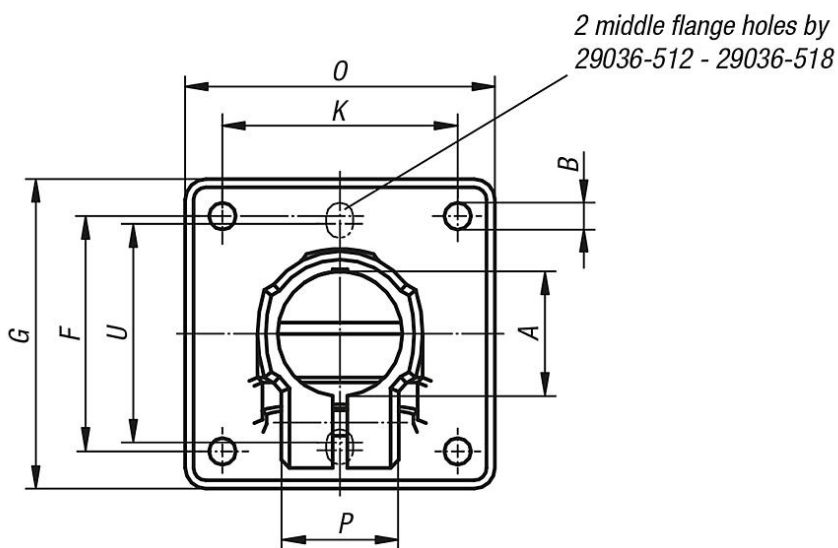
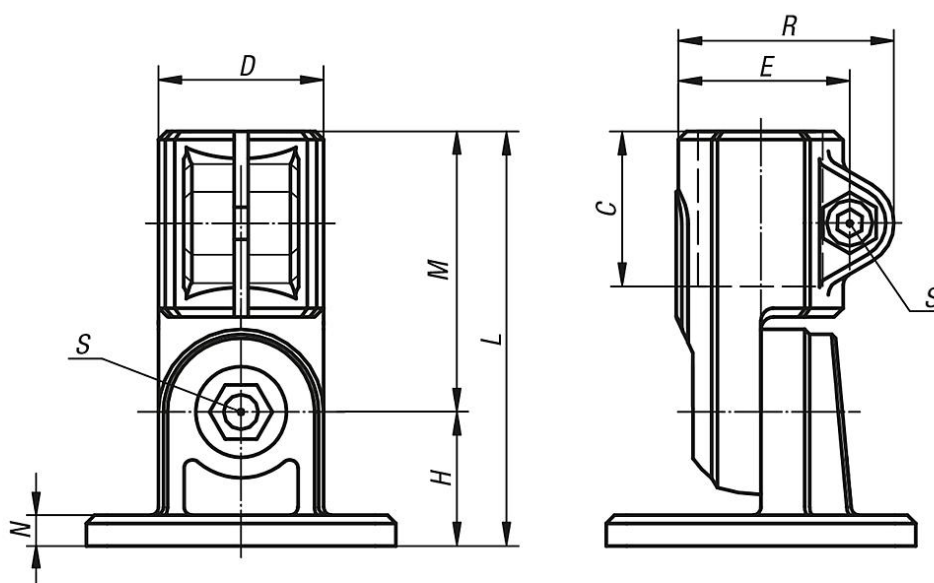
On request:

Clamping levers for tightening and other diameters.

Accessory:

- Round and square tubes 29050

Drawings



Overview of items

| Order No. | A | B | C | D | E | F | G | H | K | L | M | N | O | P | R | S | U |
|-----------|------|---------|----|----|------|----|-----|----|----|-----|-----|----|-----|----|------|--------|----|
| 29036-512 | 12,1 | 6* (2x) | 25 | 26 | 29,4 | 40 | 50 | 20 | - | 64 | 44 | 5 | 35 | 21 | 37,5 | M6x18 | 38 |
| 29036-514 | 14,1 | 6* (2x) | 25 | 26 | 29,4 | 40 | 50 | 20 | - | 64 | 44 | 5 | 35 | 21 | 37,5 | M6x18 | 38 |
| 29036-516 | 16,1 | 6* (2x) | 25 | 26 | 29,4 | 40 | 50 | 20 | - | 64 | 44 | 5 | 35 | 21 | 37,5 | M6x18 | 38 |
| 29036-518 | 18,1 | 6* (2x) | 25 | 26 | 29,4 | 40 | 50 | 20 | - | 64 | 44 | 5 | 35 | 21 | 37,5 | M6x18 | 38 |
| 29036-520 | 20,1 | 7* (4x) | 45 | 40 | 42 | 57 | 75 | 33 | 57 | 106 | 73 | 7 | 75 | 33 | 52 | M8x35 | - |
| 29036-525 | 25,1 | 7* (4x) | 45 | 40 | 42 | 57 | 75 | 33 | 57 | 106 | 73 | 7 | 75 | 33 | 52 | M8x35 | - |
| 29036-530 | 30,1 | 7* (4x) | 45 | 40 | 42 | 57 | 75 | 33 | 57 | 106 | 73 | 7 | 75 | 33 | 52 | M8x35 | - |
| 29036-540 | 40,2 | 9* (4x) | 60 | 56 | 57 | 76 | 100 | 44 | 76 | 144 | 100 | 10 | 100 | 48 | 69 | M10x50 | - |