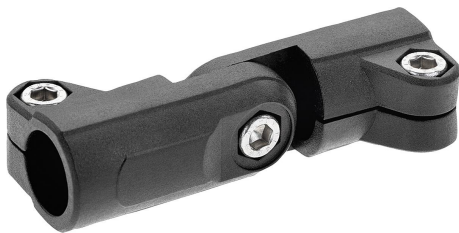


Item description/product images



Description

Material:

Thermoplastic.
DIN 7984 screws and DIN 985 nuts steel.

Version:

Black.
Screws and nuts electro zinc-plated.

Note:

Tube swivel clamps can be seamlessly rotated through 180°. The standard size for round tubes is $\varnothing 18$ mm or $\varnothing 30$ mm. Use reducer sleeves 29042 if smaller tubes are to be clamped or a conversion from round to square tubes is required.

On request:

Plastic clamping levers for tightening.

Accessory:

- Reducer sleeves 29042
- Round and square tubes 29050

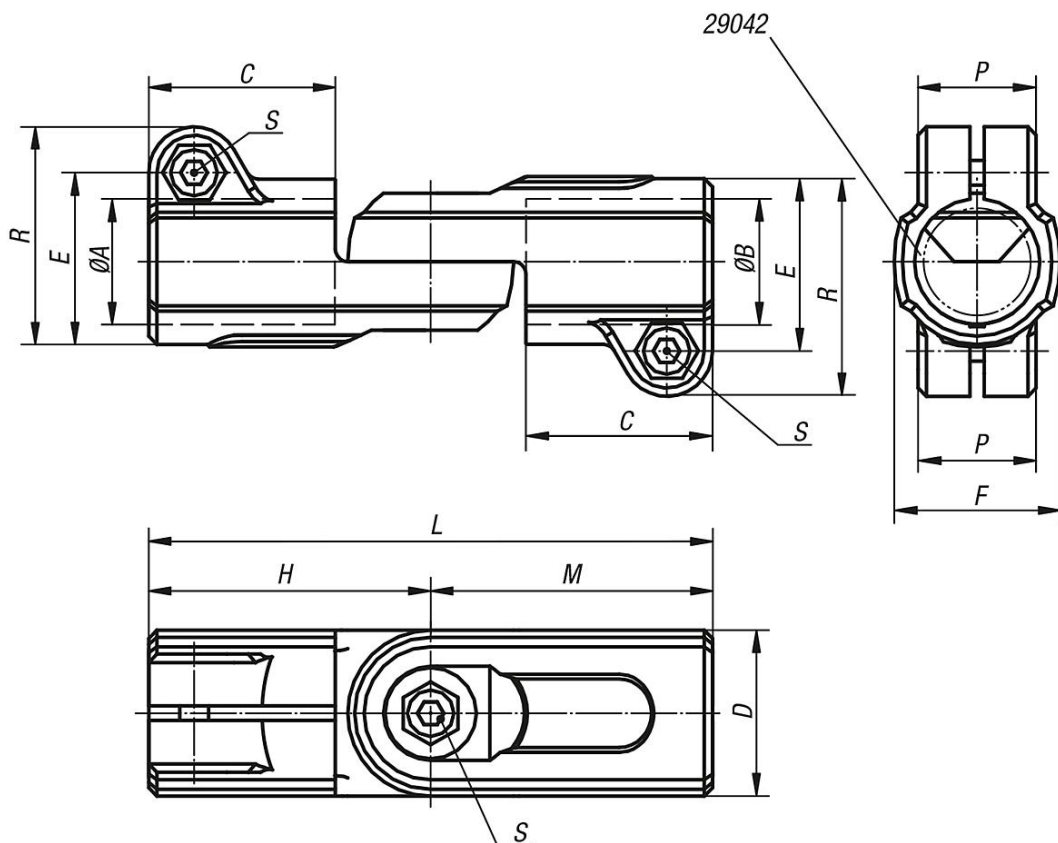
Note:

Tightening torque for clamping screws:

M6: 10 Nm

M8: 25 Nm

Drawings



Overview of items

Order No.	A	B	C	D	E	F	H	L	M	P	R	S
29034-18	18	18	30	25	26,5	25	45	90	45	21	34	M6x18
29034-30	30	30	45	40	41,5	40	68	136	68	28,5	52,5	M8x25