

## Item description/product images

**Description****Material:**

Thermoplastic.  
DIN 7984 screws and DIN 985 nuts steel.

**Version:**

Black.  
Screws and nuts electro zinc-plated.

**Note:**

Tube swivel clamps can be seamlessly rotated through 180°.  
The standard size for round tubes is Ø18 mm or Ø30 mm. Use reducer sleeves 29042 if smaller tubes are to be clamped or a conversion from round to square tubes is required.

**On request:**

Plastic clamping levers for tightening.

**Accessory:**

- Reducer sleeves 29042
- Round and square tubes 29050

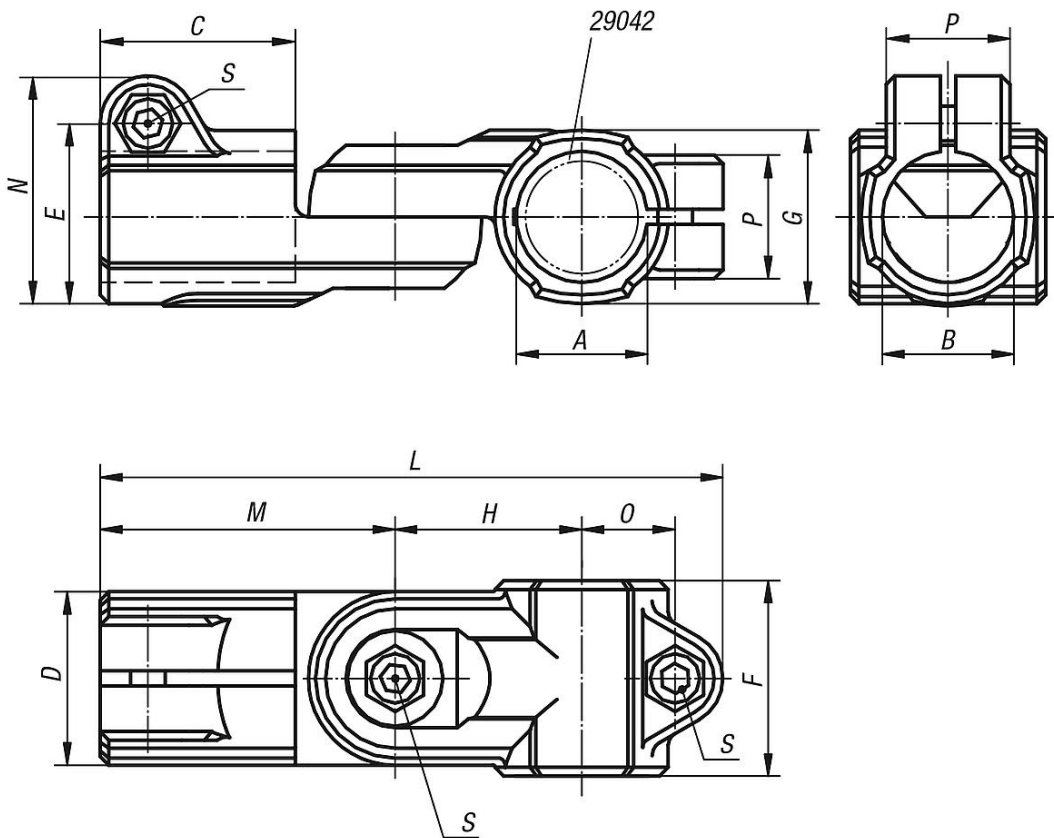
**Note:**

Tightening torque for clamping screws:

M6: 10 Nm

M8: 25 Nm

Drawings



Overview of items

Order No.	A	B	C	D	E	F	G	H	L	M	N	O	P	S
29032-18	18	18	30	25	26,5	30	25	27,5	94	45	34	14	21	M6x18
29032-30	30	30	45	40	41,5	45	40	43	143,5	68	52,5	22,5	28,5	M8x25