

Item description/product images

**Description****Material:**

Thermoplastic.

DIN 7984 screws and DIN 985 nuts steel.

Version:

Black.

Screws and nuts electro zinc-plated.

Note:

Swivel half clamps with raised teeth can be combined with swivel half clamps with sunken teeth (29024, 29028 or 29030) to make a complete swivel clamp.

The standard size for round tubes is $\varnothing 18$ mm or $\varnothing 30$ mm. Use reducer sleeves 29042 if smaller tubes are to be clamped or a conversion from round to square tubes is required.

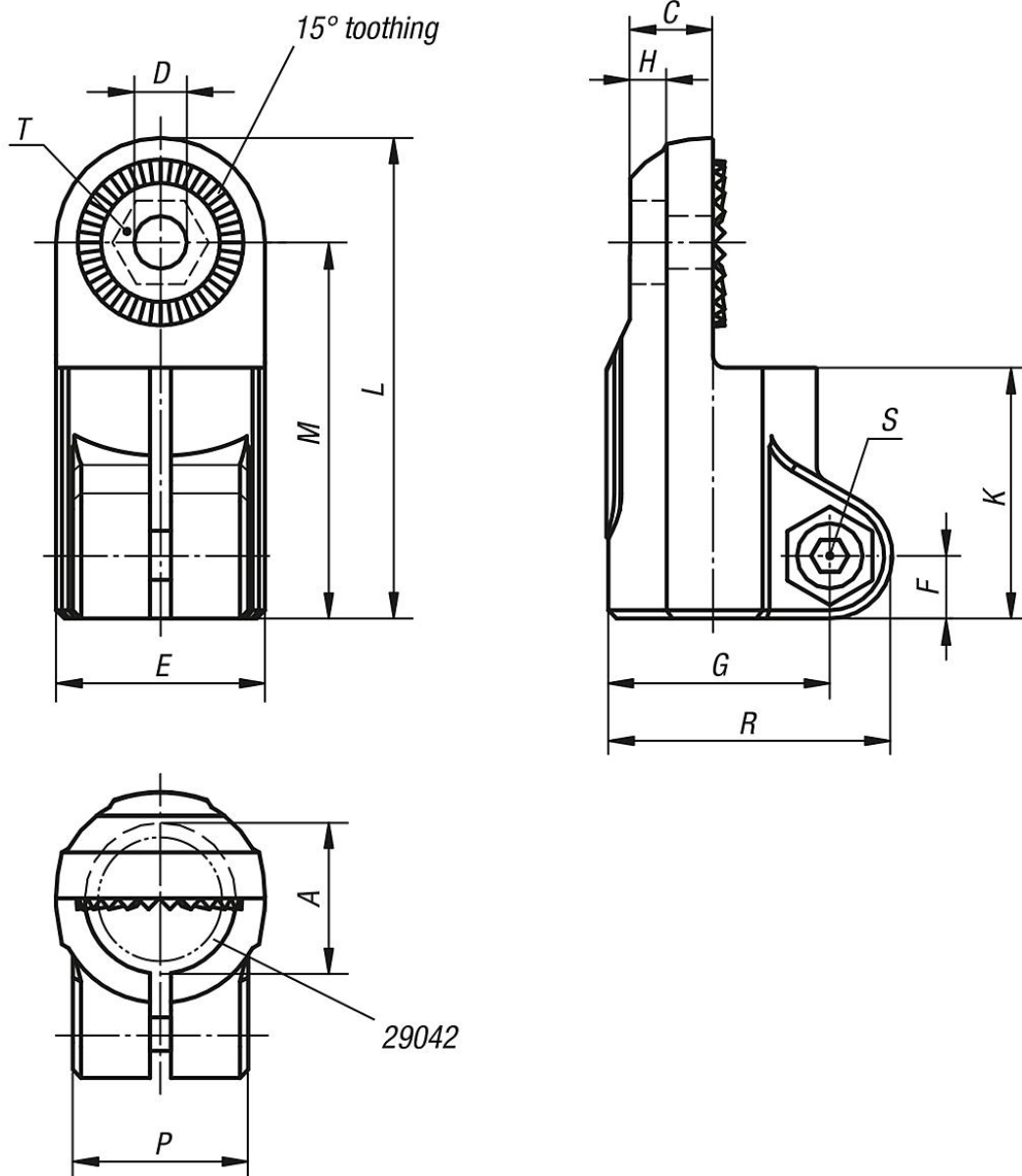
On request:

Plastic clamping levers for tightening.

Accessory:

- Reducer sleeves 29042
- Round and square tubes 29050

Drawings



Overview of items

Order No.	A	C	D	E	F	G	H	K	L	M	P	R	S	T
29026-18	18	9,9	6,1	25	7,5	26,5	5,9	30	57,5	45	21	34	M6x18	M6-DIN 985
29026-30	30	16,5	8,1	40	11	41,5	6,5	45	88	68	28,5	52,5	M8x25	M8-DIN 985