

## Item description/product images

**Description****Material:**

Thermoplastic.

DIN 7984 screws and DIN 985 nuts steel.

**Version:**

Black.

Screws and nuts electro zinc-plated.

**Note:**

Swivel half clamps with sunken teeth can be combined with swivel half clamps with raised teeth (29026) to make a complete swivel clamp.

The standard size for round tubes is  $\varnothing 18$  mm or  $\varnothing 30$  mm. Use reducer sleeves 29042 if smaller tubes are to be clamped or a conversion from round to square tubes is required.

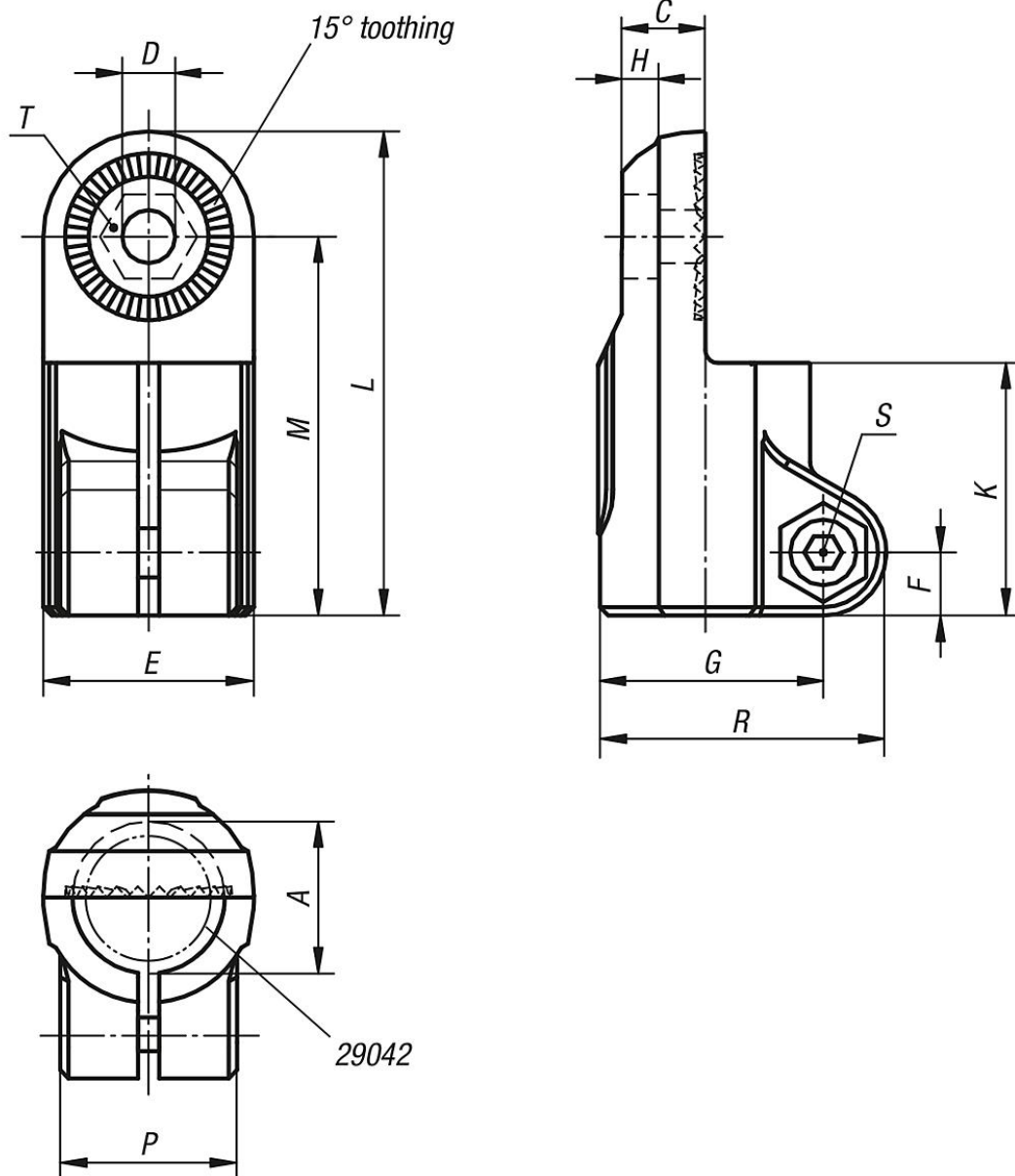
**On request:**

Plastic clamping levers for tightening.

**Accessory:**

- Reducer sleeves 29042
- Round and square tubes 29050

Drawings



Overview of items

Order No.	A	C	D	E	F	G	H	K	L	M	P	R	S	T
29024-18	18	9,9	6,1	25	7,5	26,5	5,9	30	57,5	45	21	34	M6x18	M6-DIN 985
29024-30	30	16,5	8,1	40	11	41,5	6,5	45	88	68	28,5	52,5	M8x25	M8-DIN 985