

Item description/product images



Description

**Material:**

Thermoplastic.  
DIN 7984 screws and DIN 985 nuts steel.

**Version:**

Black.  
Screws and nuts electro zinc-plated.

**Note:**

The standard size for round tubes is  $\varnothing 18$  mm or  $\varnothing 30$  mm. Use reducer sleeves 29042 if smaller tubes are to be clamped or a conversion from round to square tubes is required.

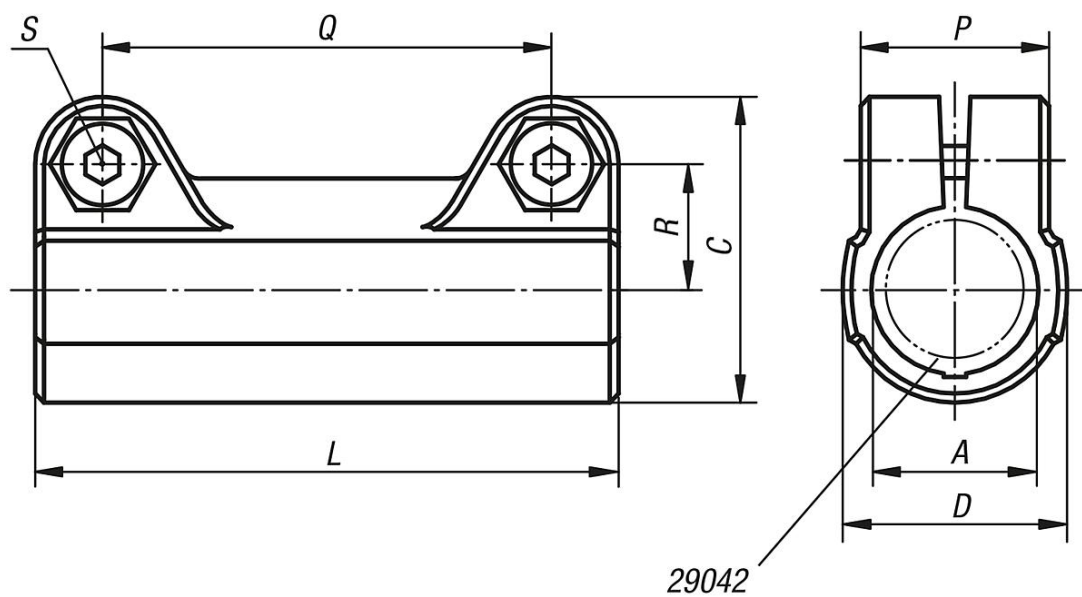
**On request:**

Plastic clamping levers for tightening.

**Accessory:**

- Reducer sleeves 29042
- Round and square tubes 29050

Drawings



Overview of items

Order No.	A	C	D	L	P	Q	R	S
29022-18	18	34	25	65	21	50	14	M6x18
29022-30	30	52,5	40	95	28,5	73	22,8	M8x25

