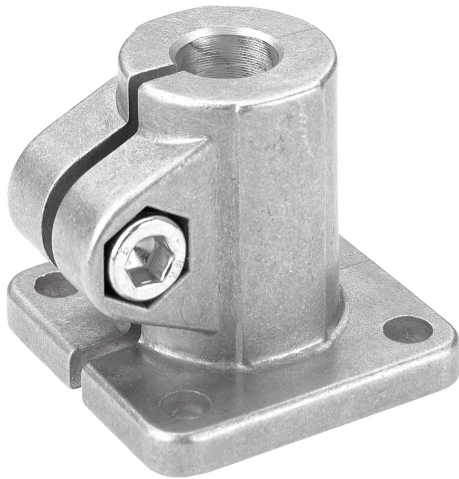


Item description/product images



Description

Material:

Cast aluminium.
DIN 7984 screws and DIN 985 nuts, steel.

Version:

Vibratory ground.
Screws and nuts electro zinc-plated.

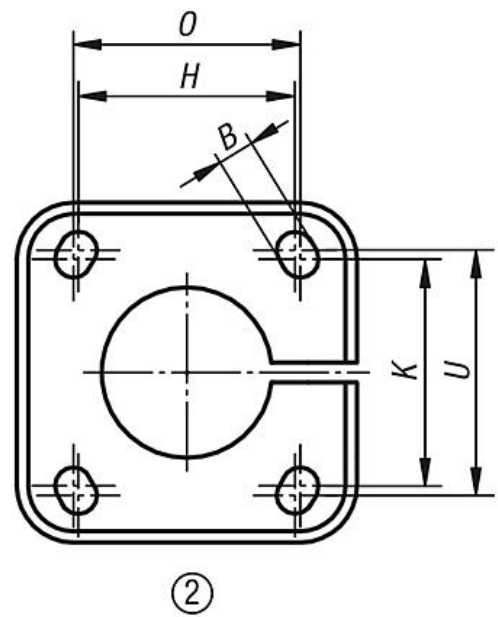
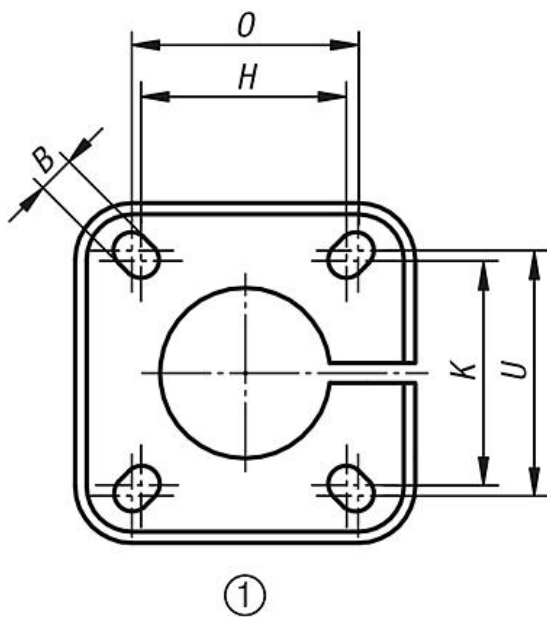
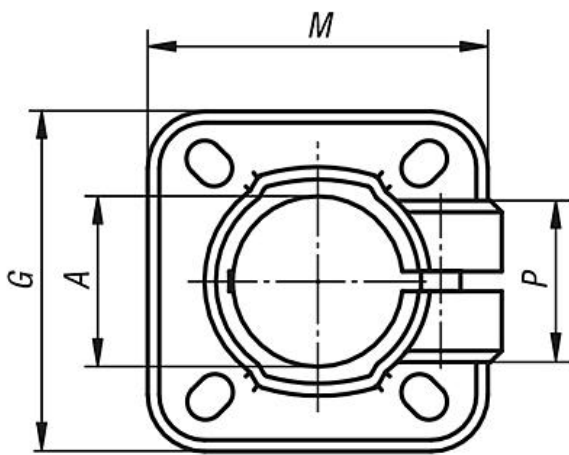
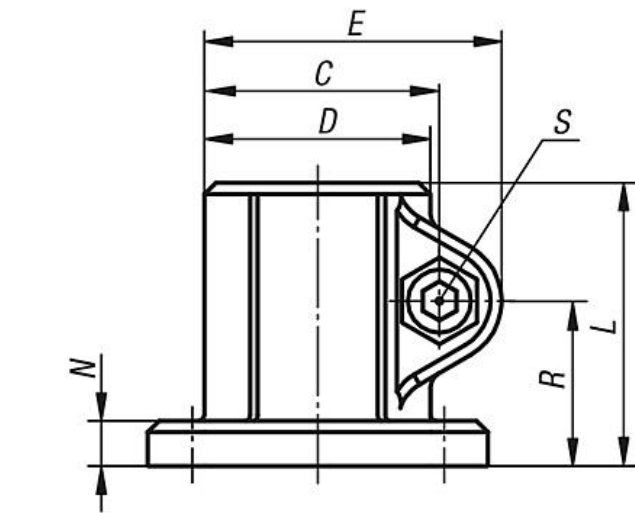
On request:

Clamping levers for tightening and other diameters.

Accessory:

- Round and square tubes 29050

Drawings



Overview of items

Order No.	hole arrangement	A	B	C	D	E	G	H	K	L	M	N	O	P	R	S	U
29010-512	1	12,1	6	27	25	35,5	42	28	28	37	42	5	30	23	21	M6x20	30
29010-514	1	14,1	6	27	25	35,5	42	28	28	37	42	5	30	23	21	M6x20	30
29010-515	1	15,1	6	27	25	35,5	42	28	28	37	42	5	30	23	21	M6x20	30
29010-516	1	16,1	6	27	25	35,5	42	28	28	37	42	5	30	23	21	M6x20	30
29010-518	1	18,1	6	27	25	35,5	42	28	28	37	42	5	30	23	21	M6x20	30
29010-520	2	20,1	7	42,5	40	53	60	40	42	50	60	8	42	33	29	M8x25	45
29010-525	2	25,1	7	42,5	40	53	60	40	42	50	60	8	42	33	29	M8x25	45
29010-530	2	30,1	7	42,5	40	53	60	40	42	50	60	8	42	33	29	M8x25	45
29010-540	1	40,17	9	61	56	74	90	60	60	70	90	10	64	40	40	M10x30	64
29010-550	1	50,22	11	70	66	84	105	74	74	85	105	14	80	45	49,5	M10x35	80