

Item description/product images



Description

Material:

Thermoplastic.
DIN 7984 screws and DIN 985 nuts steel.

Version:

Black.
Screws and nuts electro zinc-plated.

Note:

The standard size for round tubes is Ø18 mm or Ø30 mm. Use reducer sleeves 29042 if smaller tubes are to be clamped or a conversion from round to square tubes is required.

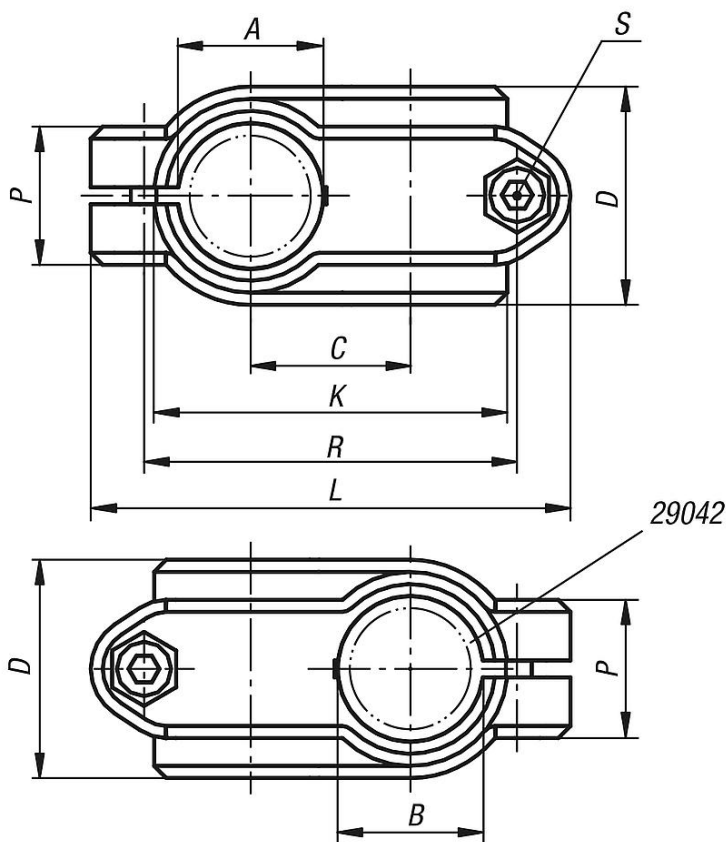
On request:

Plastic clamping levers for tightening.

Accessory:

- Reducer sleeves 29042
- Round and square tubes 29050

Drawings



Overview of items

Order No.	A	B	C	D	K	L	P	R	S
29000-1818	18	18	20	30	48	63	21	48	M6x18

Overview of items

Order No.	A	B	C	D	K	L	P	R	S
29000-3030	30	30	33	45	72	99	28,5	77	M8x25