

Item description/product images



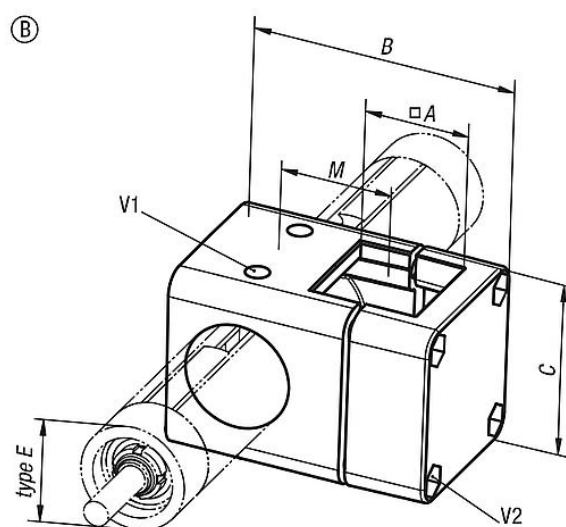
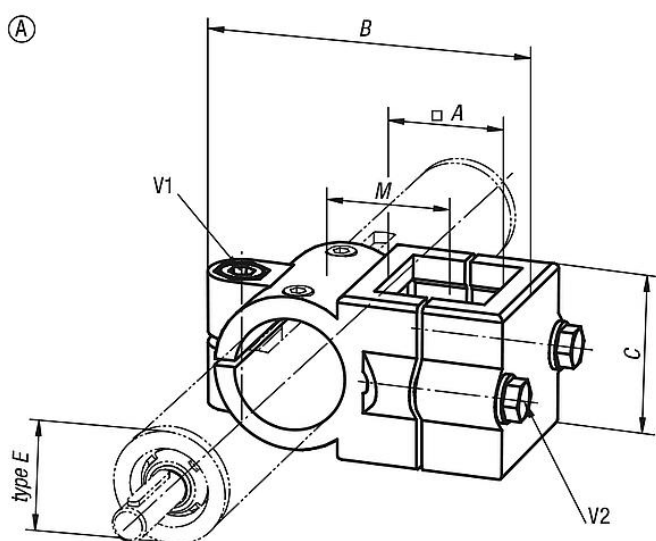
Description

**Material:**  
Cast aluminium.  
Screws and nuts steel.

**Version:**  
Black powder-coated.  
Clamping screws and nuts electro zinc-plated.

**On request:**  
Clamping levers for tightening.

Drawings



Overview of items

Order No.	Form	Type E	A	B	C	M	V1	V2
29125-3030	A	30	30	86	45	33	M8x35	M8x35
29125-4040	A	40	40	117	60	47	M10x50	M8x45
29125-5050	B	50	50	126	86	53	M8x50	M8x50
29125-3030	A	30	30	86	45	33	M8x35	M8x35
29125-4040	A	40	40	117	60	47	M10x50	M8x45
29125-5050	B	50	50	126	86	53	M8x50	M8x50