

Item description/product images



Description

Material:

Body aluminium.  
 Probe lever investment cast steel.

Version:

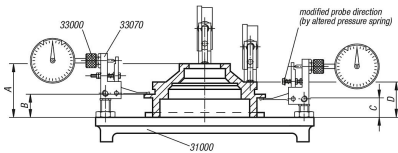
Body black anodised.  
 Probe lever black oxidised.

Note:

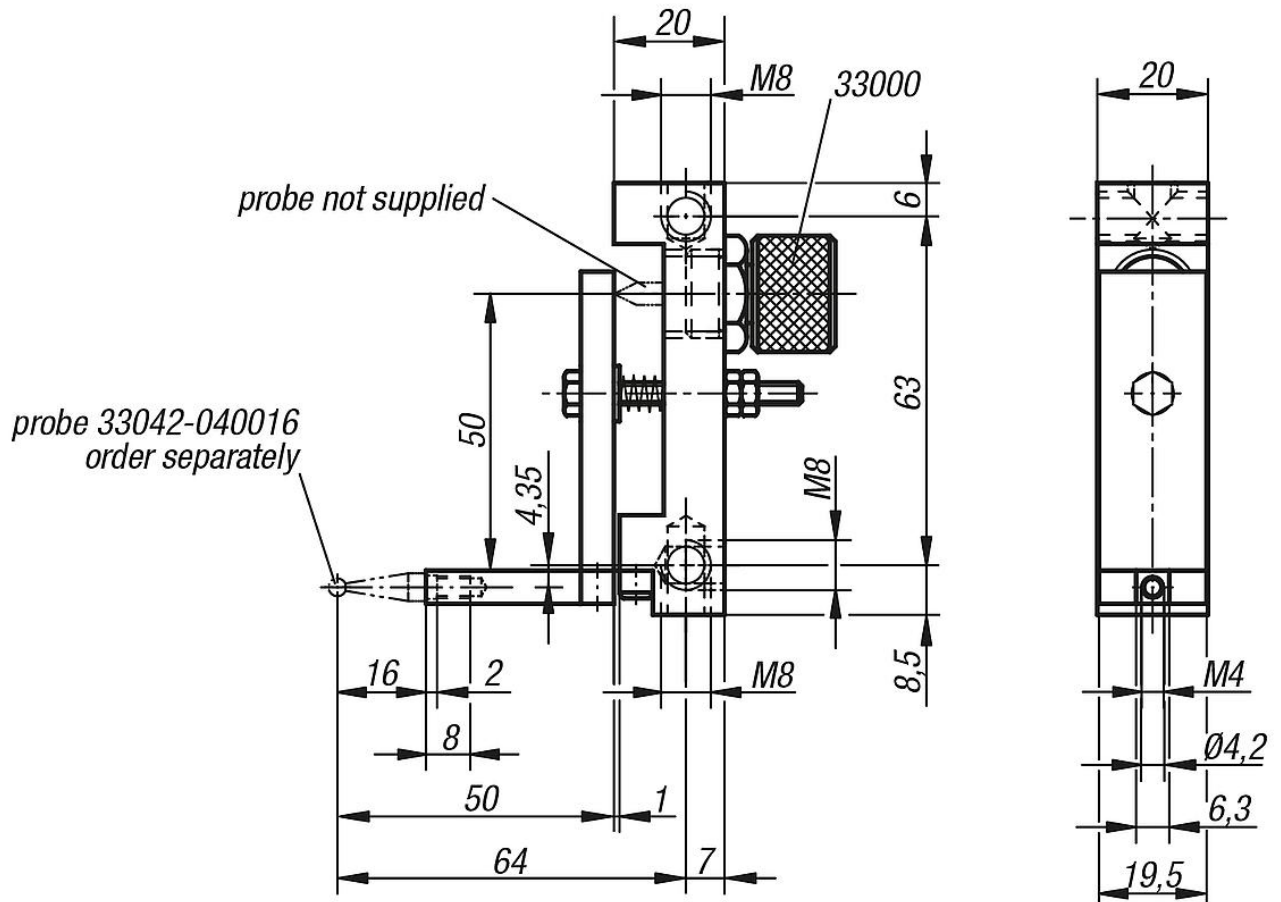
To alter the probe direction and mounting of the deflection dial gauge holder with the fastening adaptors (supplied) see technical information.

Accessory:

Dial gauges see 32540 and 32542.  
 Probe inserts see 33042-040016.



Drawings



## Overview of items

Order No.	Dimensions
33078-050	see drawing