

Item description/product images

**Description****Material:**

Steel.

Shaft bearing GJL 200

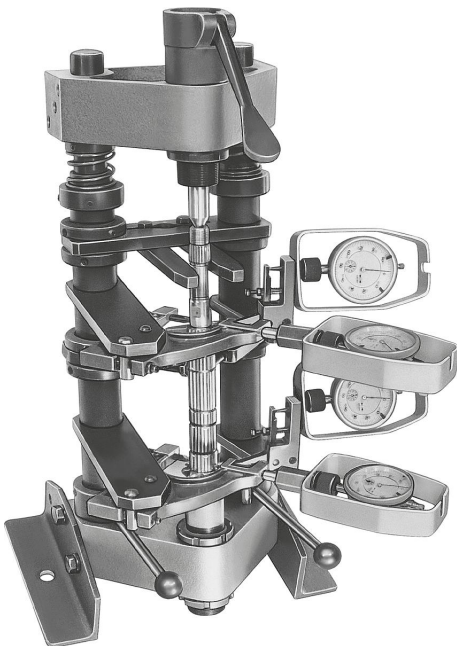
Version:

Steel parts black oxidised.

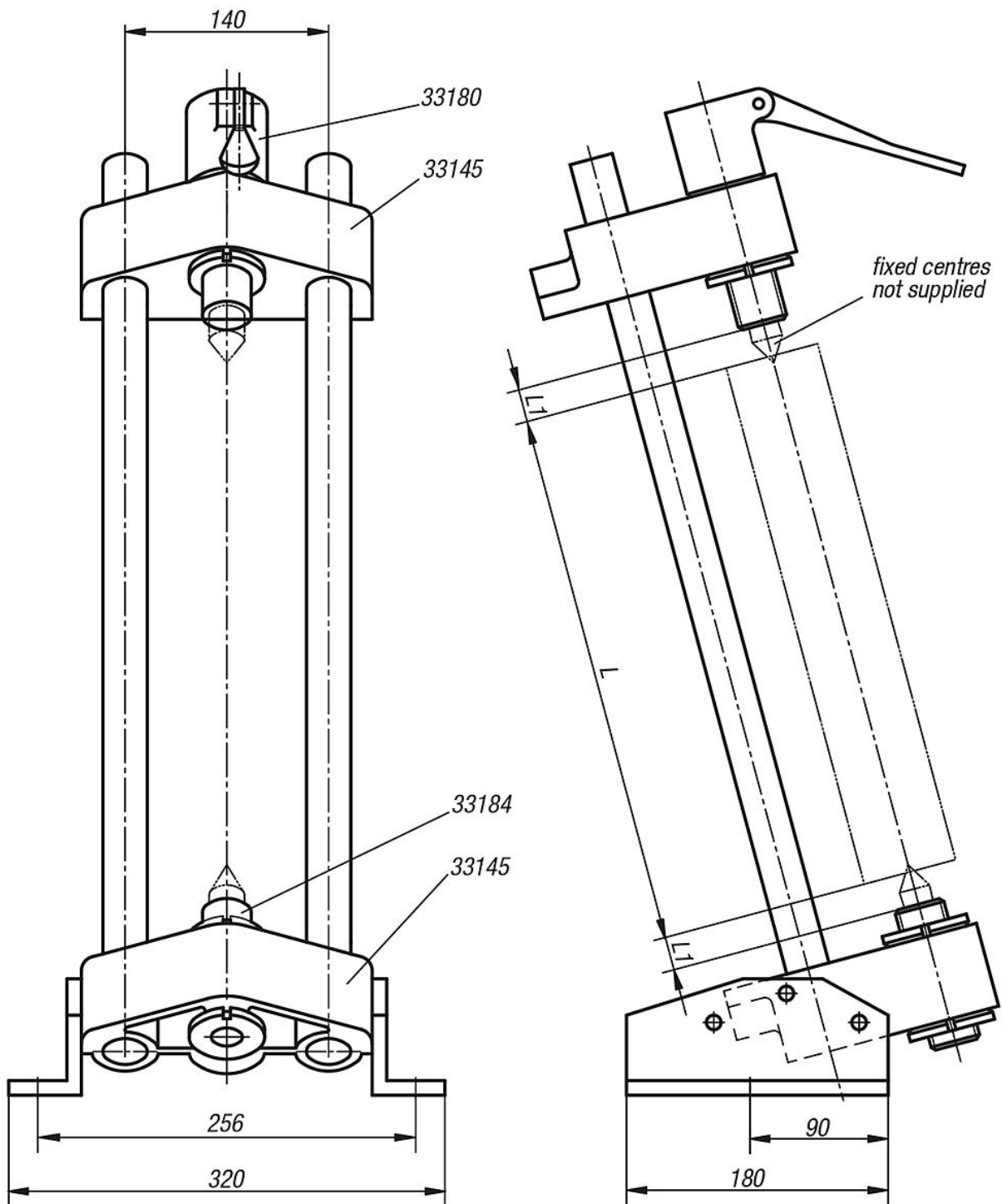
Shaft bearing painted.

Note:

See example of a measuring fixture.



Drawings



Overview of items

Order No.	L when L1 = 32 with fixed centre 33190-02096	L when L1 = 49 with fixed centre 33190-02113
33140-240444	274-444	240-410
33140-410524	444-524	410-490

