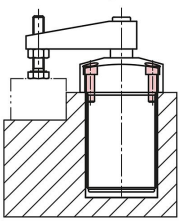


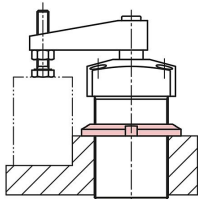
Item description/product images



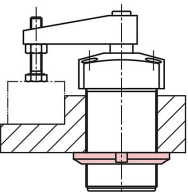
Installation examples:



With cap screws from above.



With a slotted round nut from above.



With a slotted round nut from below.

Description

Material:

Body aluminium.
Piston steel.

Version:

Body silver anodised.
Piston hard chrome-plated

Note:

Screw-in pneumatic swing clamps with flange find use where low clamping forces suffice and where the clamping point has to be cleared to enable placing or removing the workpiece.

The design enables space saving installation. The screw-in bolt can be used to adjust the height of the swing clamp. The clamp is suitable for a sunken mounting in a fixture. The compressed air port for the swing clamp is in the flange.

Due to the double-acting function of the clamp, pressure is used to move the piston downwards and upwards.

The total travel of the swing clamp consists of the swing travel and the clamping travel. At the start of the clamping process, the clamping arm performs a 90° swing movement. When this movement is completed, the linear down clamping travel is carried out. The workpiece must only be clamped using the clamping travel.

The swing clamp must not be constrained in its swinging action. $F_1 =$ at 6 bar max. permitted operating pressure.

The screw-in swing clamp with flange can be fastened from above or below using a DIN 70852 slotted round nut (07590-05). Another option is to fasten the swing clamp to the fixture from above using four cap screws.

The swing clamp must only be operated using lubricated air.

The fastening holes in the flange have the same dimensions as those in the threaded flange 05610-20.

The screw and the lock washer for fastening the clamping, which is available as an accessory, are supplied.

Clamping arm and slotted round nut are not supplied.

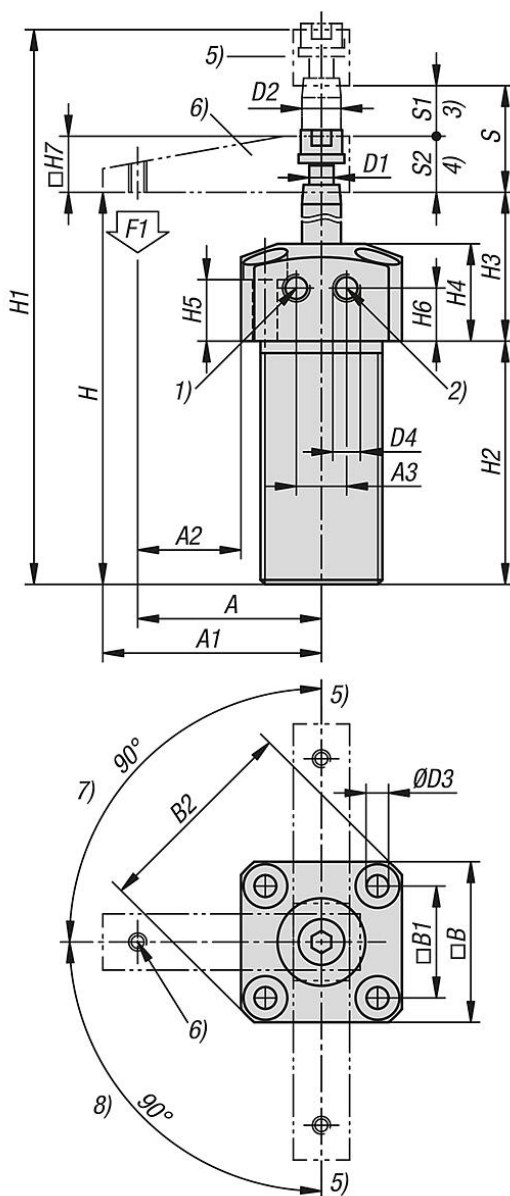
Accessory:

05620 Clamping arm for swing clamp.
07590-05 DIN 70852 slotted round nut.

Drawing reference:

- 1) Clamping
- 2) Releasing
- 3) Swing travel
- 4) Clamping travel
- 5) Relaxed
- 6) Tensioned
- 7) Left swinging
- 8) Right swinging

Drawings



Overview of items

Order No.	Size	Version 2	Form definition	A	A1	A2	A3	B	B1	B2	D	D1	D2	D3	D4
05610-10-112	12	screw-on with flange	swivel to the right	35	39	18,75	10	32,5	23	42,5	M25x1,5	M5	8	4,5	M5
05610-10-116	16	screw-on with flange	swivel to the right	41	45	23	12	36	26,5	47	M30x1,5	M5	8	4,5	M5
05610-10-120	20	screw-on with flange	swivel to the right	48	54	27,5	14	41	30,5	54	M35x1,5	M8	12	5,5	M5
05610-10-125	25	screw-on with flange	swivel to the right	50	56	25	23	50	37	66	M40x1,5	M8	14	5,5	M5
05610-10-132	32	screw-on with flange	swivel to the right	60	69	30	23	60	45	80	M50x1,5	M8	16	6,5	G1/8
05610-10-140	40	screw-on with flange	swivel to the right	70	79	37,5	26	65	50	87	M55x1,5	M8	16	6,5	G1/8
05610-10-150	50	screw-on with flange	swivel to the right	80	90	42,5	32	75	58	100	M65x1,5	M10	20	8,5	G1/8
05610-10-163	63	screw-on with flange	swivel to the right	90	100	45,5	35	90	70	118	M80x1,5	M10	20	8,5	G1/8
05610-10-212	12	screw-on with flange	swivel to the left	35	39	18,75	10	32,5	23	42,5	M25x1,5	M5	8	4,5	M5
05610-10-216	16	screw-on with flange	swivel to the left	41	45	23	12	36	26,5	47	M30x1,5	M5	8	4,5	M5
05610-10-220	20	screw-on with flange	swivel to the left	48	54	27,5	14	41	30,5	54	M35x1,5	M8	12	5,5	M5
05610-10-225	25	screw-on with flange	swivel to the left	50	56	25	23	50	37	66	M40x1,5	M8	14	5,5	M5
05610-10-232	32	screw-on with flange	swivel to the left	60	69	30	23	60	45	80	M50x1,5	M8	16	6,5	G1/8
05610-10-240	40	screw-on with flange	swivel to the left	70	79	37,5	26	65	50	87	M55x1,5	M8	16	6,5	G1/8
05610-10-250	50	screw-on with flange	swivel to the left	80	90	42,5	32	75	58	100	M65x1,5	M10	20	8,5	G1/8
05610-10-263	63	screw-on with flange	swivel to the left	90	100	45,5	35	90	70	118	M80x1,5	M10	20	8,5	G1/8

Overview of items

Order No.	H	H1	H2	H3	H4	H5	H6	H7	Travel S	S1	S2	F1 N
05610-10-112	75	104,6	52	25	18	11	7	12	17,6	9	8,6	40
05610-10-116	75	104,5	52	25	18	11	7	12	17,5	9	8,5	90
05610-10-120	90,5	133,5	65,1	25,4	20	10	10	16	27	12	15	120
05610-10-125	92	134	62	30	25	15	11,5	16	26	13	13	210
05610-10-132	103	150	73	30	25	13	10,5	19	28	14	14	370
05610-10-140	103	152	73	30	25	13	10,5	19	30	14	16	650
05610-10-150	110	167	80	30	25	11	10,5	25	32	16	16	1020
05610-10-163	110	165	80	30	25	11	10,5	25	30	16	14	1720
05610-10-212	75	104,6	52	25	18	11	7	12	17,6	9	8,6	40
05610-10-216	75	104,5	52	25	18	11	7	12	17,5	9	8,5	90
05610-10-220	90,5	133,5	65,1	25,4	20	10	10	16	27	12	15	120
05610-10-225	92	134	62	30	25	15	11,5	16	26	13	13	210
05610-10-232	103	150	73	30	25	13	10,5	19	28	14	14	370
05610-10-240	103	152	73	30	25	13	10,5	19	30	14	16	650
05610-10-250	110	167	80	30	25	11	10,5	25	32	16	16	1020
05610-10-263	110	165	80	30	25	11	10,5	25	30	16	14	1720