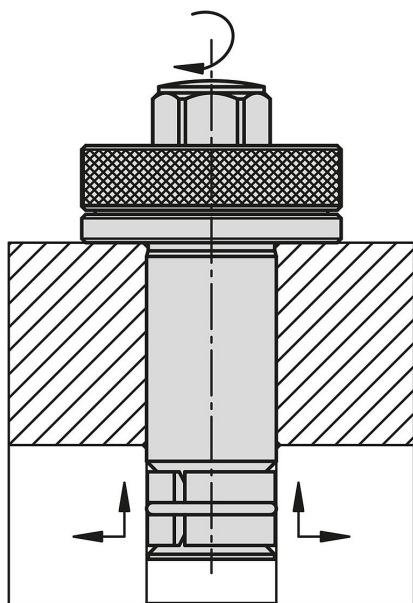


Item description/product images

**Description****Material:**

Carbon steel.

Version:

Black oxidised.

Note:

A workpiece can be easily secured and centred in a bore using the locating cylinder. Due to the low surface friction on rigid contact faces generated by the integrated axial needle bearing, increased clamping forces can be achieved. The high load rating of the bearing guarantees a long service life. Clamping cylinder with pull-down effect.

Assembly:

Insert the locating cylinder through the mounting hole in the workpiece being secured.

Tighten the screw first by hand using the knurled part of the screw and then tighten further using a suitable spanner.

The knurled part can also be sunk into a counterbore provided for this purpose.

Advantages:

Easily adjustable clamping range

Independent of the bores diameter and surface finish (up to H12)

Pull-down effect

Significant increase in clamping force for same tightening torque, in comparison with the version with balls

High-quality axial needle bearing with high load rating and long service life

Applications:

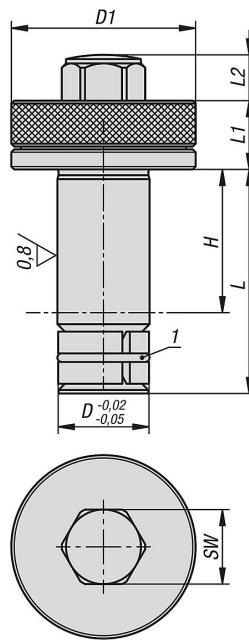
Ideal for fastening standard elements of various thicknesses. The clamping cylinder can also be used for quick-change systems.

Drawing reference:

The dimension H refers to the clamping area.

1) O-ring

Drawings



Overview of items

Order No.	D	D1	H clamping range	L	L1	L2	SW	Holding force F kN	Tightening torque Nm	Order No. Repair Kit
03156-20-1010	10	20	0-10	20	8	5	8	5,4	4,4	03156-20-91010
03156-20-1215	12	26	0-15	27	10	6	10	8,8	10,5	03156-20-91215
03156-20-1625	16	32	0-25	39	12	8	13	16,8	22	03156-20-91625
03156-20-2030	20	38	0-30	49,5	15	9	17	22,6	31	03156-20-92030