

## Item description/product images



## Description

**Material:**

Housing thermoplastic.

**Version:**

Operating principle: RFID

Rating: IP67.

**Note:**

Actuator for RFID coded safety switch. If the actuator is within the switching range (safety door closed), the semiconductor outputs of the safety switch are activated.

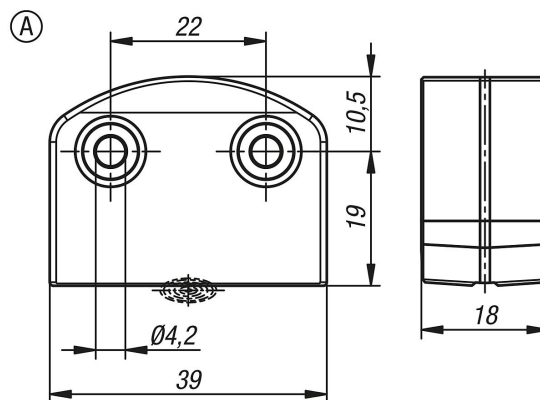
**Temperature range:**

-25 °C to +65 °C.

**Accessory:**

Safety switch RFID coded 83456.

## Drawings



## Overview of items

Order No.	Form	Form definition
83456-10-1	A	Standard