

Item description/product images



Description

Product description:

The indexing and clamping grips enable the positioning, securing and clamping of diverse positioning elements with just one product. Indexing is carried out using the indexing pin and the item is clamped using the end face of the sleeve. A protruding signal button means that the indexing pin is not completely extended.

Material:

Star grip black grey thermoplastic.
Signal button red thermoplastic.
Threaded sleeve 1.0718.
Indexing pin stainless steel 1.4305.

Version:

Steel electro zinc-plated.
Stainless steel bright.

Advantages:

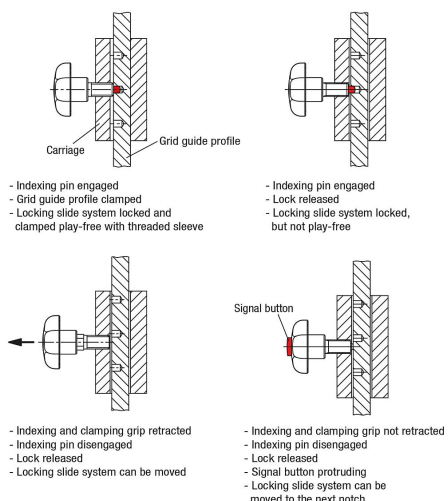
Optical indication of the engagement function.
Indexing and clamping with one product.
Ergonomic operation via star grip.

On request:

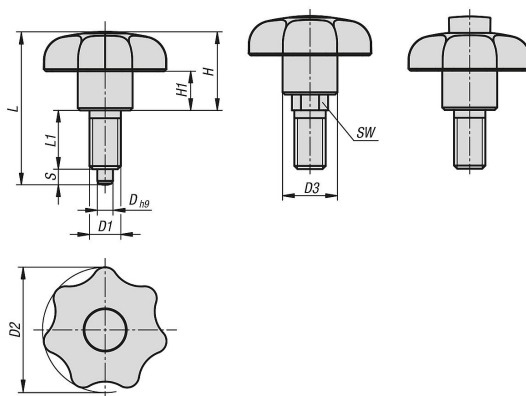
Special versions.

Accessory:

Hexagon nuts thin DIN 439



Drawings



Overview of items

Order No.	D	D1	D2	D3	H	H1	L	L1	Travel S	SW
03191-108040	4	M8	32	14	20	10	39	15	4	8
03191-210050	5	M10	40	18	24,9	13	46,9	17	5	10
03191-312060	6	M12	50	22	32	17	58	20	6	12
03191-416080	8	M16	63	26	40,3	21	74,3	26	8	16
03191-108041	4	M8x1	32	14	20	10	39	15	4	8
03191-210051	5	M10x1	40	18	24,9	13	46,9	17	5	10
03191-312061	6	M12x1,5	50	22	32	17	58	20	6	12
03191-416081	8	M16x1,5	63	26	40,3	21	74,3	26	8	16