

Item description/product images

INCH
Parts



Description

Material:

Handle fibreglass reinforced plastic, toothed ring die-cast zinc. Metal parts stainless steel 1.4305.

Push button plastic (POM).

Version:

Steel parts bright.

Note:

Δ Enter the desired lever colour here.

The standard colours are:

Black grey clamping lever, traffic red push button.

Orange clamping lever, black grey push button.

Traffic red clamping lever, black grey push button.

Where $L \geq 60$ mm the thread length is 60 mm.

On request:

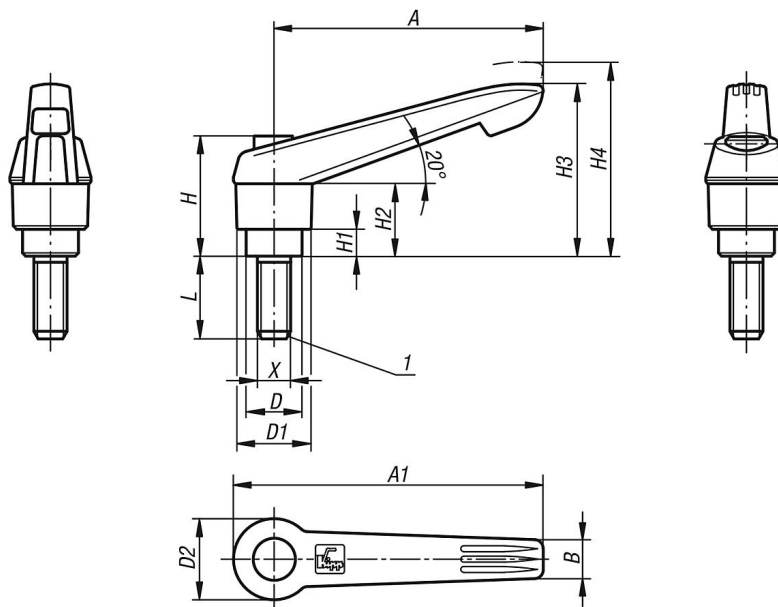
Other threads, screw lengths and special versions.

Dimension "H1" available in other lengths at extra charge.

Drawing reference:

1) flat point DIN EN ISO 4753

Drawings



Overview of items

| Order No. | Main colour | Size | X | D | D1 | D2 | H | H1 | H2 | H3 | H4 | A | A1 | B | No. of teeth | L |
|----------------|---------------------|------|-------|----|----|------|------|----|----|----|------|----|----|-----|--------------|----|
| 06611-711A0X15 | black grey RAL 7021 | 1 | 10-24 | 10 | 13 | 14,5 | 25,5 | 4 | 15 | 30 | 33,5 | 40 | 47 | 7,5 | 16 | 15 |
| 06611-711A0X20 | black grey RAL 7021 | 1 | 10-24 | 10 | 13 | 14,5 | 25,5 | 4 | 15 | 30 | 33,5 | 40 | 47 | 7,5 | 16 | 20 |
| 06611-711A0X25 | black grey RAL 7021 | 1 | 10-24 | 10 | 13 | 14,5 | 25,5 | 4 | 15 | 30 | 33,5 | 40 | 47 | 7,5 | 16 | 25 |
| 06611-711A1X15 | black grey RAL 7021 | 1 | 10-32 | 10 | 13 | 14,5 | 25,5 | 4 | 15 | 30 | 33,5 | 40 | 47 | 7,5 | 16 | 15 |

Overview of items

| Order No. | Main colour | Size | X | D | D1 | D2 | H | H1 | H2 | H3 | H4 | A | A1 | B | No. of teeth | L |
|----------------|----------------------|------|---------|------|------|------|------|-----|------|------|------|-----|------|------|--------------|----|
| 06611-732A3X60 | traffic red RAL 3020 | 2 | 5/16-18 | 13,5 | 18 | 19,5 | 29,5 | 6,5 | 17,5 | 41,5 | 45,5 | 65 | 75 | 9,5 | 20 | 60 |
| 06611-732A4X20 | traffic red RAL 3020 | 2 | 3/8-16 | 13,5 | 18 | 19,5 | 29,5 | 6,5 | 17,5 | 41,5 | 45,5 | 65 | 75 | 9,5 | 20 | 20 |
| 06611-732A4X25 | traffic red RAL 3020 | 2 | 3/8-16 | 13,5 | 18 | 19,5 | 29,5 | 6,5 | 17,5 | 41,5 | 45,5 | 65 | 75 | 9,5 | 20 | 25 |
| 06611-732A4X30 | traffic red RAL 3020 | 2 | 3/8-16 | 13,5 | 18 | 19,5 | 29,5 | 6,5 | 17,5 | 41,5 | 45,5 | 65 | 75 | 9,5 | 20 | 30 |
| 06611-732A4X40 | traffic red RAL 3020 | 2 | 3/8-16 | 13,5 | 18 | 19,5 | 29,5 | 6,5 | 17,5 | 41,5 | 45,5 | 65 | 75 | 9,5 | 20 | 40 |
| 06611-732A4X50 | traffic red RAL 3020 | 2 | 3/8-16 | 13,5 | 18 | 19,5 | 29,5 | 6,5 | 17,5 | 41,5 | 45,5 | 65 | 75 | 9,5 | 20 | 50 |
| 06611-732A4X60 | traffic red RAL 3020 | 2 | 3/8-16 | 13,5 | 18 | 19,5 | 29,5 | 6,5 | 17,5 | 41,5 | 45,5 | 65 | 75 | 9,5 | 20 | 60 |
| 06611-733A3X20 | traffic red RAL 3020 | 3 | 5/16-18 | 16 | 21,5 | 23 | 38,5 | 10 | 24 | 53,5 | 58 | 80 | 91,5 | 11 | 22 | 20 |
| 06611-733A3X25 | traffic red RAL 3020 | 3 | 5/16-18 | 16 | 21,5 | 23 | 38,5 | 10 | 24 | 53,5 | 58 | 80 | 91,5 | 11 | 22 | 25 |
| 06611-733A3X30 | traffic red RAL 3020 | 3 | 5/16-18 | 16 | 21,5 | 23 | 38,5 | 10 | 24 | 53,5 | 58 | 80 | 91,5 | 11 | 22 | 30 |
| 06611-733A3X40 | traffic red RAL 3020 | 3 | 5/16-18 | 16 | 21,5 | 23 | 38,5 | 10 | 24 | 53,5 | 58 | 80 | 91,5 | 11 | 22 | 40 |
| 06611-733A3X50 | traffic red RAL 3020 | 3 | 5/16-18 | 16 | 21,5 | 23 | 38,5 | 10 | 24 | 53,5 | 58 | 80 | 91,5 | 11 | 22 | 50 |
| 06611-733A3X60 | traffic red RAL 3020 | 3 | 5/16-18 | 16 | 21,5 | 23 | 38,5 | 10 | 24 | 53,5 | 58 | 80 | 91,5 | 11 | 22 | 60 |
| 06611-733A4X20 | traffic red RAL 3020 | 3 | 3/8-16 | 16 | 21,5 | 23 | 38,5 | 10 | 24 | 53,5 | 58 | 80 | 91,5 | 11 | 22 | 20 |
| 06611-733A4X25 | traffic red RAL 3020 | 3 | 3/8-16 | 16 | 21,5 | 23 | 38,5 | 10 | 24 | 53,5 | 58 | 80 | 91,5 | 11 | 22 | 25 |
| 06611-733A4X30 | traffic red RAL 3020 | 3 | 3/8-16 | 16 | 21,5 | 23 | 38,5 | 10 | 24 | 53,5 | 58 | 80 | 91,5 | 11 | 22 | 30 |
| 06611-733A4X40 | traffic red RAL 3020 | 3 | 3/8-16 | 16 | 21,5 | 23 | 38,5 | 10 | 24 | 53,5 | 58 | 80 | 91,5 | 11 | 22 | 40 |
| 06611-733A4X50 | traffic red RAL 3020 | 3 | 3/8-16 | 16 | 21,5 | 23 | 38,5 | 10 | 24 | 53,5 | 58 | 80 | 91,5 | 11 | 22 | 50 |
| 06611-733A4X60 | traffic red RAL 3020 | 3 | 3/8-16 | 16 | 21,5 | 23 | 38,5 | 10 | 24 | 53,5 | 58 | 80 | 91,5 | 11 | 22 | 60 |
| 06611-734A5X25 | traffic red RAL 3020 | 4 | 1/2-13 | 19 | 25,5 | 27,5 | 44,6 | 10 | 26 | 61 | 66 | 95 | 109 | 13 | 24 | 25 |
| 06611-734A5X30 | traffic red RAL 3020 | 4 | 1/2-13 | 19 | 25,5 | 27,5 | 44,6 | 10 | 26 | 61 | 66 | 95 | 109 | 13 | 24 | 30 |
| 06611-734A5X40 | traffic red RAL 3020 | 4 | 1/2-13 | 19 | 25,5 | 27,5 | 44,6 | 10 | 26 | 61 | 66 | 95 | 109 | 13 | 24 | 40 |
| 06611-734A5X50 | traffic red RAL 3020 | 4 | 1/2-13 | 19 | 25,5 | 27,5 | 44,6 | 10 | 26 | 61 | 66 | 95 | 109 | 13 | 24 | 50 |
| 06611-734A5X60 | traffic red RAL 3020 | 4 | 1/2-13 | 19 | 25,5 | 27,5 | 44,6 | 10 | 26 | 61 | 66 | 95 | 109 | 13 | 24 | 60 |
| 06611-735A6X30 | traffic red RAL 3020 | 5 | 5/8-11 | 23 | 30 | 32,5 | 50,6 | 12 | 33 | 72 | 77 | 110 | 126 | 15,5 | 26 | 30 |
| 06611-735A6X40 | traffic red RAL 3020 | 5 | 5/8-11 | 23 | 30 | 32,5 | 50,6 | 12 | 33 | 72 | 77 | 110 | 126 | 15,5 | 26 | 40 |
| 06611-735A6X50 | traffic red RAL 3020 | 5 | 5/8-11 | 23 | 30 | 32,5 | 50,6 | 12 | 33 | 72 | 77 | 110 | 126 | 15,5 | 26 | 50 |
| 06611-735A6X60 | traffic red RAL 3020 | 5 | 5/8-11 | 23 | 30 | 32,5 | 50,6 | 12 | 33 | 72 | 77 | 110 | 126 | 15,5 | 26 | 60 |