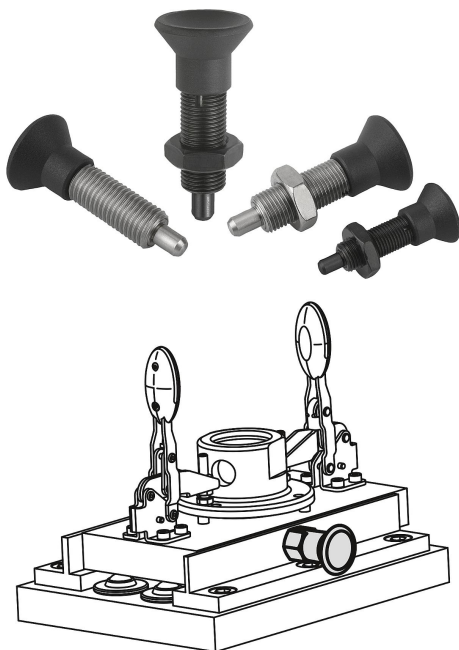


## Item description/product images

INCH  
Parts**Description****Material:**

Steel version  
Indexing pin hardened:  
grade 5.8.

Stainless steel version  
Indexing pin hardened:  
Threaded sleeve 1.4305.  
Indexing pin 1.4034.

Indexing pin not hardened:  
Threaded sleeve 1.4305.  
Indexing pin 1.4305.

Mushroom knob black-grey thermoplastic.

**Version:**

Steel version:  
Indexing pin hardened, ground, black oxidised.

Stainless steel version:  
Indexing pin hardened, ground and bright.  
Indexing pin not hardened, ground and bright.

**Note:**

Indexing plungers are used to prevent any change in locking position due to lateral forces. A new locking position can only be set after the pin has been manually disengaged.

A washer is available to aid by screwing in the indexing plungers. The washer slides beneath the mushroom knob so that the carrier pins engage in the slot.

**On request:**

Special versions.

**Accessory:**

Spacer rings 03089

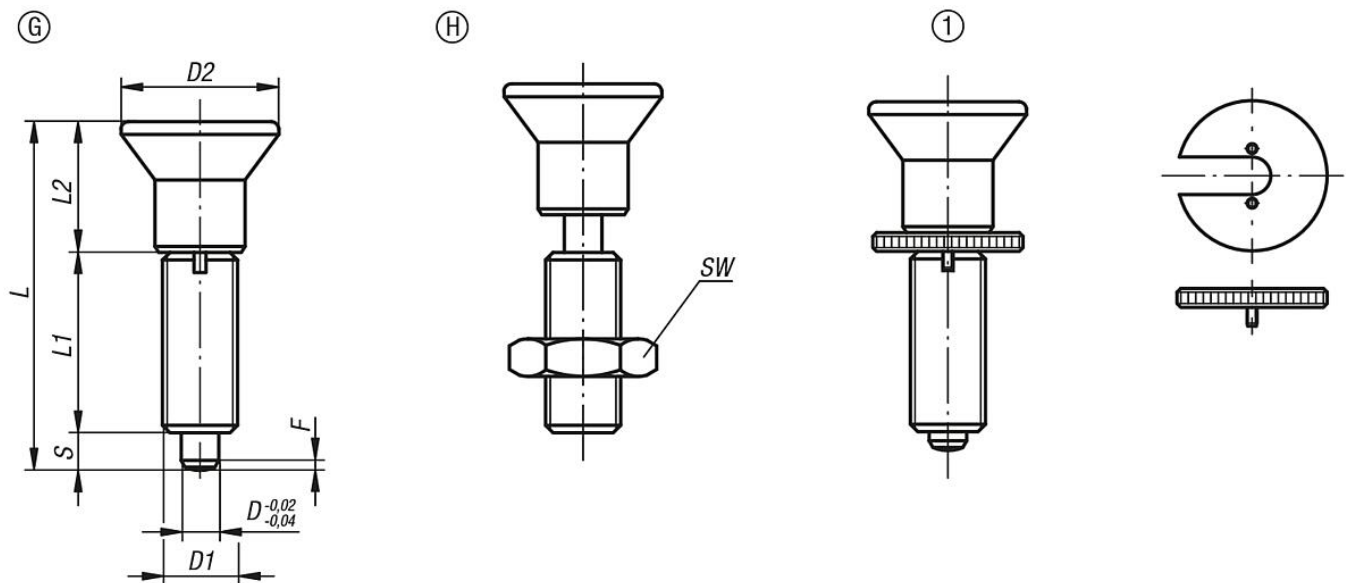
**Drawing reference:**

Form G: without locknut

Form H: with locknut

1) Indexing plunger with screw-in washer

Drawings



Overview of items

Order No.	Form	Main material	Surface finish body	D	D1	D2	L	L1	L2	Travel S	SW	Fx30°	Spring force initial pressure F1 approx. N	Spring force final pressure F2 approx. N	Order No. screw-in washer
03093-21903AJ	G	steel	hardened	3	1/4-28	14	33	17	11	5	-	0,8	4,5	12	03094-99
03093-21004AK	G	steel	hardened	4	5/16-24	18	40,5	21	13,5	6	-	1	6	15	03094-90
03093-21105AL	G	steel	hardened	5	3/8-24	21	46,5	24	14,5	8	-	1,3	5	16	03094-91
03093-21206A5	G	steel	hardened	6	1/2-13	25	54,7	28	17,7	9	-	1,8	6	18	03094-92
03093-21308A6	G	steel	hardened	8	5/8-11	33	72	36	24	12	-	2,3	15	45	03094-93
03093-21410A7	G	steel	hardened	10	3/4-10	33	79	40	24	15	-	2,8	15	43	03094-94
03093-21412A0	G	steel	hardened	12	3/4-16	33	84	42	24	18	-	2,8	15	51	03094-94
03093-21516A8	G	steel	hardened	16	1-8	40	104	50	30	24	-	3,2	20	60	03094-95
03093-201903AJ	G	stainless steel	hardened	3	1/4-28	14	33	17	11	5	-	0,8	4,5	12	03094-99
03093-201004AK	G	stainless steel	hardened	4	5/16-24	18	40,5	21	13,5	6	-	1	6	15	03094-90
03093-201105AL	G	stainless steel	hardened	5	3/8-24	21	46,5	24	14,5	8	-	1,3	5	16	03094-91
03093-201206A5	G	stainless steel	hardened	6	1/2-13	25	54,7	28	17,7	9	-	1,8	6	18	03094-92
03093-201308A6	G	stainless steel	hardened	8	5/8-11	33	72	36	24	12	-	2,3	15	45	03094-93
03093-201410A7	G	stainless steel	hardened	10	3/4-10	33	79	40	24	15	-	2,8	15	43	03094-94
03093-201412A0	G	stainless steel	hardened	12	3/4-16	33	84	42	24	18	-	2,8	15	51	03094-94
03093-201516A8	G	stainless steel	hardened	16	1-8	40	104	50	30	24	-	3,2	20	60	03094-95
03093-211903AJ	G	stainless steel	not hardened	3	1/4-28	14	33	17	11	5	-	0,8	4,5	12	03094-99
03093-211004AK	G	stainless steel	not hardened	4	5/16-24	18	40,5	21	13,5	6	-	1	6	15	03094-90
03093-211105AL	G	stainless steel	not hardened	5	3/8-24	21	46,5	24	14,5	8	-	1,3	5	16	03094-91
03093-211206A5	G	stainless steel	not hardened	6	1/2-13	25	54,7	28	17,7	9	-	1,8	6	18	03094-92
03093-211308A6	G	stainless steel	not hardened	8	5/8-11	33	72	36	24	12	-	2,3	15	45	03094-93
03093-211410A7	G	stainless steel	not hardened	10	3/4-10	33	79	40	24	15	-	2,8	15	43	03094-94
03093-211412A0	G	stainless steel	not hardened	12	3/4-16	33	84	42	24	18	-	2,8	15	51	03094-94
03093-211516A8	G	stainless steel	not hardened	16	1-8	40	104	50	30	24	-	3,2	20	60	03094-95
03093-22903AJ	H	steel	hardened	3	1/4-28	14	33	17	11	5	7/16	0,8	4,5	12	03094-99
03093-22004AK	H	steel	hardened	4	5/16-24	18	40,5	21	13,5	6	1/2	1	6	15	03094-90
03093-22105AL	H	steel	hardened	5	3/8-24	21	46,5	24	14,5	8	9/16	1,3	5	16	03094-91
03093-22206A5	H	steel	hardened	6	1/2-13	25	54,7	28	17,7	9	3/4	1,8	6	18	03094-92
03093-22308A6	H	steel	hardened	8	5/8-11	33	72	36	24	12	15/16	2,3	15	45	03094-93
03093-22410A7	H	steel	hardened	10	3/4-10	33	79	40	24	15	1-1/8	2,8	15	43	03094-94
03093-22412A0	H	steel	hardened	12	3/4-16	33	84	42	24	18	1-1/8	2,8	15	51	03094-94
03093-22516A8	H	steel	hardened	16	1-8	40	104	50	30	24	-	3,2	20	60	03094-95
03093-202903AJ	H	stainless steel	hardened	3	1/4-28	14	33	17	11	5	7/16	0,8	4,5	12	03094-99
03093-202004AK	H	stainless steel	hardened	4	5/16-24	18	40,5	21	13,5	6	1/2	1	6	15	03094-90
03093-202105AL	H	stainless steel	hardened	5	3/8-24	21	46,5	24	14,5	8	9/16	1,3	5	16	03094-91
03093-202206A5	H	stainless steel	hardened	6	1/2-13	25	54,7	28	17,7	9	3/4	1,8	6	18	03094-92
03093-202308A6	H	stainless steel	hardened	8	5/8-11	33	72	36	24	12	15/16	2,3	15	45	03094-93
03093-202410A7	H	stainless steel	hardened	10	3/4-10	33	79	40	24	15	1-1/8	2,8	15	43	03094-94
03093-202412A0	H	stainless steel	hardened	12	3/4-16	33	84	42	24	18	1-1/8	2,8	15	51	03094-94

## Overview of items

Order No.	Form	Main material	Surface finish body	D	D1	D2	L	L1	L2	Travel S	SW	Fx30°	Spring force initial pressure F1 approx. N	Spring force final pressure F2 approx. N	Order No. screw-in washer
03093-202516A8	H	stainless steel	hardened	16	1-8	40	104	50	30	24	-	3,2	20	60	03094-95
03093-212903AJ	H	stainless steel	not hardened	3	1/4-28	14	33	17	11	5	7/16	0,8	4,5	12	03094-99
03093-212004AK	H	stainless steel	not hardened	4	5/16-24	18	40,5	21	13,5	6	1/2	1	6	15	03094-90
03093-212105AL	H	stainless steel	not hardened	5	3/8-24	21	46,5	24	14,5	8	9/16	1,3	5	16	03094-91
03093-212206A5	H	stainless steel	not hardened	6	1/2-13	25	54,7	28	17,7	9	3/4	1,8	6	18	03094-92
03093-212308A6	H	stainless steel	not hardened	8	5/8-11	33	72	36	24	12	15/16	2,3	15	45	03094-93
03093-212410A7	H	stainless steel	not hardened	10	3/4-10	33	79	40	24	15	1-1/8	2,8	15	43	03094-94
03093-212412A0	H	stainless steel	not hardened	12	3/4-16	33	84	42	24	18	1-1/8	2,8	15	51	03094-94
03093-212516A8	H	stainless steel	not hardened	16	1-8	40	104	50	30	24	-	3,2	20	60	03094-95