

Item description/product images

INCH
Parts

Description

Material:

Form A,G: Foot high carbon steel, ball element free-cutting steel.

Form B: All stainless steel

Form C: Foot POM, ball element free-cutting steel.

Form D: Foot POM, ball element stainless steel.

Anti-slip plate thermoplastic elastomer.

Version:

Form A: Ball element case-hardened and black oxidised.

Form B: Bright.

Form C: Ball element case-hardened and black oxidised.

Form D: Ball element bright.

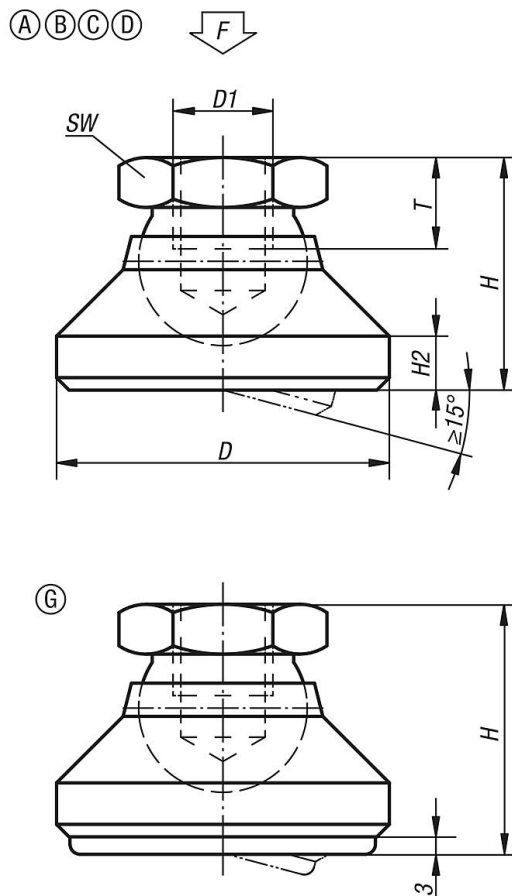
Form G: Ball element case hardened and black oxidised, foot with anti-slip plate.

Note:

The anti-slip plate absorbs vibrations and prevents the swivel foot slipping

The loading indicated in the table is a recommendation up to which permanent static load the swivel foot can be used.

Drawings



Overview of items

Overview of items

Swivel Feet, inch

Order No.	Form	D	D1	H	H2	T	SW	Load rating max. kN
07144-1A2	A	20	1/4-20	15	2,5	8,5	10	10
07144-1A3	A	25	5/16-18	18	4	9	13	18
07144-1A4	A	32	3/8-16	22	5	10	17	20
07144-1A5	A	40	1/2-13	26	6	12	19	35
07144-1A6	A	50	5/8-11	32	7	14	24	45
07144-1A7	A	60	3/4-10	42	8	18	30	55
07144-3A2	B	20	1/4-20	15	2,5	8,5	10	10
07144-3A3	B	25	5/16-18	18	4	9	13	18
07144-3A4	B	32	3/8-16	22	5	10	17	20
07144-3A5	B	40	1/2-13	26	6	12	19	35
07144-3A6	B	50	5/8-11	32	7	14	24	45
07144-3A7	B	60	3/4-10	42	8	18	30	55
07144-5A2	C	20	1/4-20	15	2,5	8,5	10	4
07144-5A3	C	25	5/16-18	18	4	9	13	7
07144-5A4	C	32	3/8-16	22	5	10	17	10
07144-5A5	C	40	1/2-13	26	6	12	19	18
07144-5A6	C	50	5/8-11	32	7	14	24	20
07144-5A7	C	60	3/4-10	42	8	18	30	22
07144-2A2	D	20	1/4-20	15	2,5	8,5	10	4
07144-2A3	D	25	5/16-18	18	4	9	13	7
07144-2A4	D	32	3/8-16	22	5	10	17	10
07144-2A5	D	40	1/2-13	26	6	12	19	18
07144-2A6	D	50	5/8-11	32	7	14	24	20
07144-2A7	D	60	3/4-10	42	8	18	30	22
07144-4A4	G	32	3/8-16	25	5	10	17	12
07144-4A5	G	40	1/2-13	29	6	12	19	17
07144-4A6	G	50	5/8-11	35	7	14	24	20
07144-4A7	G	60	3/4-10	45	8	18	30	24

Swivel Feet, inch

Order No. Form C	Order No. Form D	D	D1	H	H2	T	SW	Load rating max. kN
07144-5A2	07144-2A2	20	1/4-20	15	2,5	8,5	10	4
07144-5A3	07144-2A3	25	5/16-18	18	4	9	13	7
07144-5A4	07144-2A4	32	3/8-16	22	5	10	17	10
07144-5A5	07144-2A5	40	1/2-13	26	6	12	19	18
07144-5A6	07144-2A6	50	5/8-11	32	7	14	24	20
07144-5A7	07144-2A7	60	3/4-10	42	8	18	30	22

Swivel Feet, inch

Order No. Form G	D	D1	H	H2	T	SW	Load rating max. kN (static load only)
07144-4A4	32	3/8-16	25	5	10	17	12
07144-4A5	40	1/2-13	29	6	12	19	17
07144-4A6	50	5/8-11	35	7	14	24	20
07144-4A7	60	3/4-10	45	8	18	30	24