

Item description/product images

INCH
Parts

Description

Material:

Handwheels aluminium.

Cylinder grip black thermoset PF 31-DIN 7708, centre pin electro zinc-plated steel.

Version:

Wheel rim turned and polished.

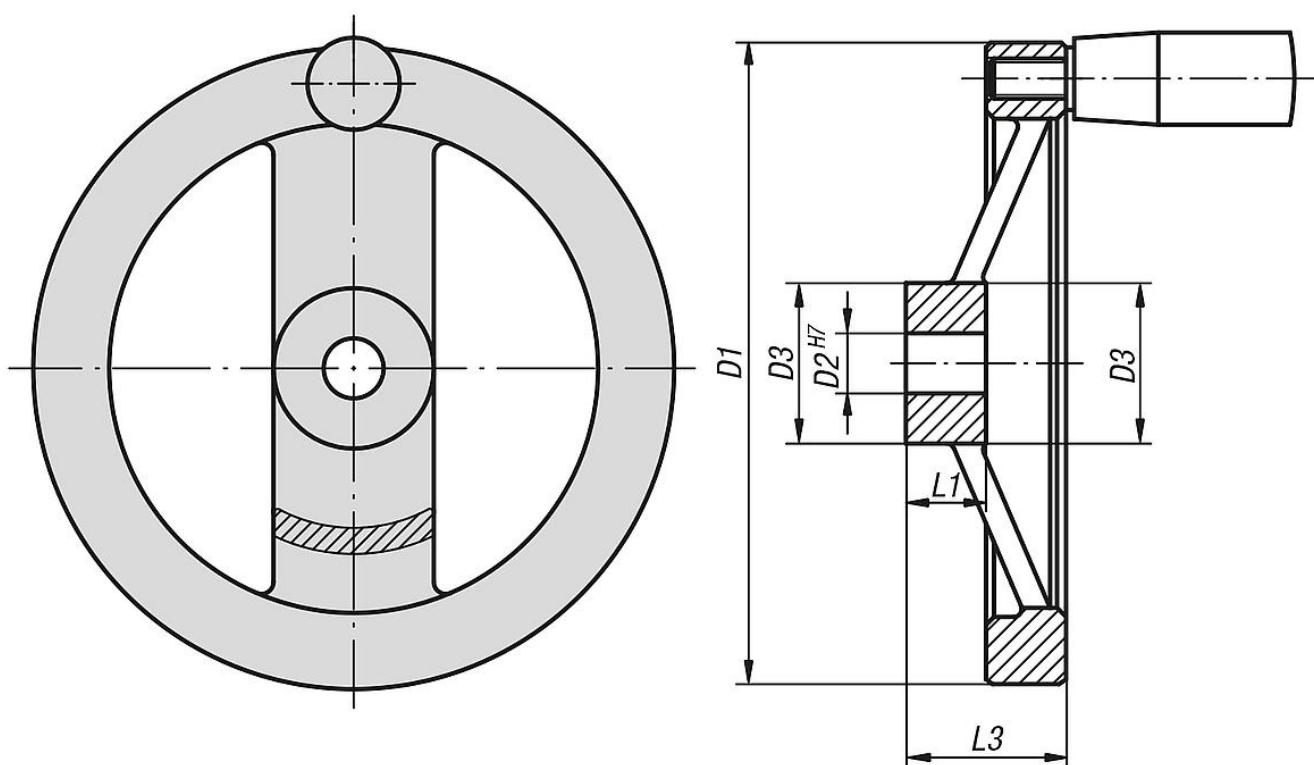
Note:

For the inch series, dimension D2 is in inches, all other dimensions are in mm.

On request:

Hubs with square socket or powder-coated handwheels.

Drawings



Overview of items

Order No.	D1	D2	D3	L1	L3
06277-0080XCN	80	0,312	24	16	28
06277-0080XCO	80	0,375	24	16	28
06277-0100XCO	100	0,375	26	17	33
06277-0100XCP	100	0,5	26	17	33
06277-0125XCO	125	0,375	31	18	33,5
06277-0125XCP	125	0,5	31	18	33,5
06277-0160XCP	160	0,5	36	20	39
06277-0160XCQ	160	0,625	36	20	39
06277-0200XCQ	200	0,625	42	24	45
06277-0200XCR	200	0,75	42	24	45
06277-0250XCR	250	0,75	48	28	51

Overview of items

Order No.	D1	D2	D3	L1	L3
06277-0250XCV	250	0,875	48	28	51

Order No.	D1	D2	D3	L1	L3	Fixed cylinder grip
06277-2080XCN	80	0,312	24	16	28	ø18 x M6 x 40
06277-2080XCO	80	0,375	24	16	28	ø18 x M6 x 40
06277-2100XCO	100	0,375	26	17	33	ø18 x M6 x 40
06277-2100XCP	100	0,5	26	17	33	ø18 x M6 x 40
06277-2125XCO	125	0,375	31	18	33,5	ø21 x M8 x 50
06277-2125XCP	125	0,5	31	18	33,5	ø21 x M8 x 50
06277-2160XCP	160	0,5	36	20	39	ø26 x M10 x 80
06277-2160XCQ	160	0,625	36	20	39	ø26 x M10 x 80
06277-2200XCQ	200	0,625	42	24	45	ø26 x M10 x 80
06277-2200XCR	200	0,75	42	24	45	ø26 x M10 x 80
06277-2250XCR	250	0,75	48	28	51	ø28 x M12 x 90
06277-2250XCV	250	0,875	48	28	51	ø28 x M12 x 90

Order No.	D1	D2	D3	L1	L3	Revolving cylinder grip
06277-4080XCN	80	0,312	24	16	28	ø18 x M6 x 40
06277-4080XCO	80	0,375	24	16	28	ø18 x M6 x 40
06277-4100XCO	100	0,375	26	17	33	ø18 x M6 x 40
06277-4100XCP	100	0,5	26	17	33	ø18 x M6 x 40
06277-4125XCO	125	0,375	31	18	33,5	ø22 x M8 x 56
06277-4125XCP	125	0,5	31	18	33,5	ø22 x M8 x 56
06277-4160XCP	160	0,5	36	20	39	ø26 x M10 x 80
06277-4160XCQ	160	0,625	36	20	39	ø26 x M10 x 80
06277-4200XCQ	200	0,625	42	24	45	ø26 x M10 x 80
06277-4200XCR	200	0,75	42	24	45	ø26 x M10 x 80
06277-4250XCR	250	0,75	48	28	51	ø31 x M12 x 102
06277-4250XCV	250	0,875	48	28	51	ø31 x M12 x 102