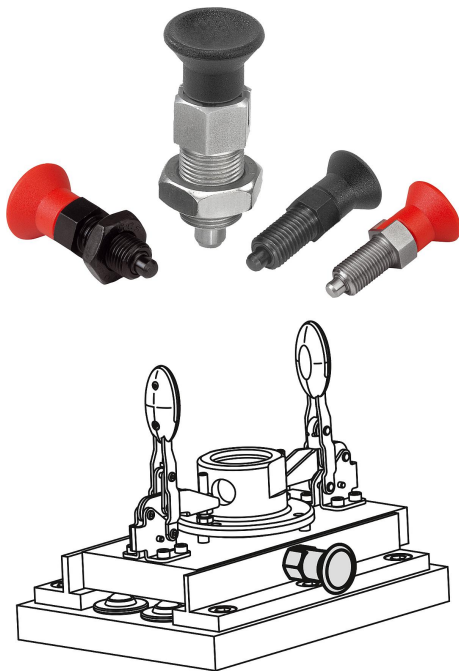


Item description/product images

INCH
Parts

Description

Material:

Steel version:
Grub screw and indexing pin steel.

Stainless steel version:
Indexing pin hardened:
Threaded sleeve 1.4305.
Indexing pin 1.4034.

Indexing pin not hardened:
Threaded sleeve 1.4305.
Indexing pin 1.4305.

Mushroom grip thermoplastic, black-grey or traffic red RAL 3020.

Version:

Steel version:
Threaded sleeve, black oxidised.
Indexing pin hardened, ground and black oxidised.

Stainless steel version:
Threaded sleeve, bright.
Indexing pin hardened, ground and bright.
Indexing pin not hardened, ground and bright.

Note:

Indexing plungers are used to prevent any change in locking position due to lateral forces. A new locking position can only be set after the pin has been manually disengaged. Form C or D is recommended for applications where the plunger remains disengaged over a long period and the pin should be prevented from springing back.

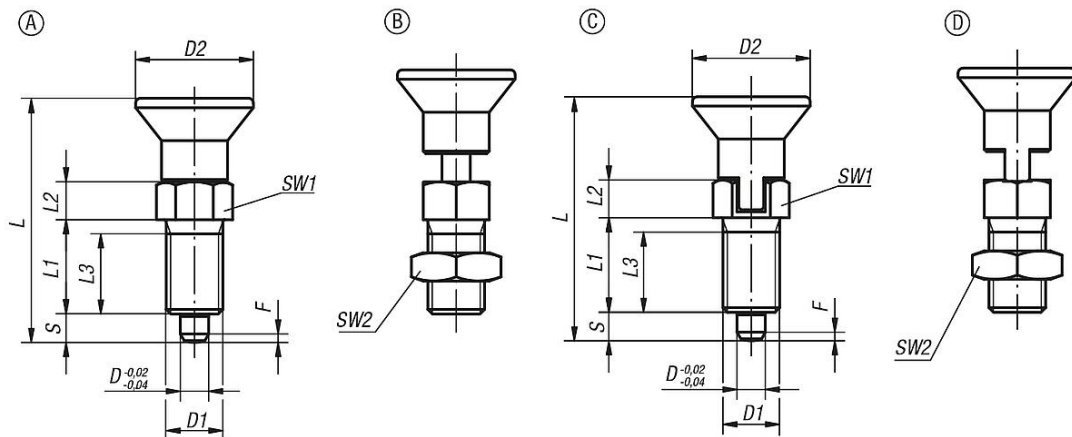
On request:

Special versions.

Drawing reference:

Form A: non-lockout type, without locknut
Form B: non-lockout type, with locknut
Form C: lockout type, without locknut
Form D: lockout type, with locknut

Drawings



Overview of items

Order No.	Form	Main material	Steel code	Surface finish body	Component colour	D	D1	D2	L	L1	L2	L3	Travel S	SW1	SW2	Fx30°	Spring force initial pressure F1 approx. N	Spring force final pressure F2 approx. N
03089-1903AJ	A	steel	-	hardened	black grey RAL 7021	3	1/4-28	14	31,5	12	5	10	3,5	8	-	0,8	4,5	10
03089-1004AK	A	steel	-	hardened	black grey RAL 7021	4	5/16-24	18	38,5	15	6	13	4	10	-	1	6	12
03089-1105AL	A	steel	-	hardened	black grey RAL 7021	5	3/8-24	21	43,5	17	7	15	5	13	-	1,3	5	12
03089-1206A5	A	steel	-	hardened	black grey RAL 7021	6	1/2-13	25	51,7	20	8	16	6	14	-	1,8	6	14
03089-1308A6	A	steel	-	hardened	black grey RAL 7021	8	5/8-11	33	68	26	10	21	8	19	-	2,3	15	35
03089-1410A7	A	steel	-	hardened	black grey RAL 7021	10	3/4-10	33	74	28	12	23	10	22	-	2,8	15	40
03089-1412A0	A	steel	-	hardened	black grey RAL 7021	12	3/4-16	33	78	28	14	25	12	22	-	2,8	15	39
03089-1516A8	A	steel	-	hardened	black grey RAL 7021	16	1-8	40	96	32	18	28	16	27	-	3,2	20	46
03089-1903AJ84	A	steel	-	hardened	traffic red RAL 3020	3	1/4-28	14	31,5	12	5	10	3,5	8	-	0,8	4,5	10
03089-1004AK84	A	steel	-	hardened	traffic red RAL 3020	4	5/16-24	18	38,5	15	6	13	4	10	-	1	6	12
03089-1105AL84	A	steel	-	hardened	traffic red RAL 3020	5	3/8-24	21	43,5	17	7	15	5	13	-	1,3	5	12
03089-1206A584	A	steel	-	hardened	traffic red RAL 3020	6	1/2-13	25	51,7	20	8	16	6	14	-	1,8	6	14
03089-1308A684	A	steel	-	hardened	traffic red RAL 3020	8	5/8-11	33	68	26	10	21	8	19	-	2,3	15	35
03089-1410A784	A	steel	-	hardened	traffic red RAL 3020	10	3/4-10	33	74	28	12	23	10	22	-	2,8	15	40
03089-1412A084	A	steel	-	hardened	traffic red RAL 3020	12	3/4-16	33	78	28	14	25	12	22	-	2,8	15	39
03089-1516A884	A	steel	-	hardened	traffic red RAL 3020	16	1-8	40	96	32	18	28	16	27	-	3,2	20	46
03089-01903AJ	A	stainless steel	1.4034	hardened	black grey RAL 7021	3	1/4-28	14	31,5	12	5	10	3,5	8	-	0,8	4,5	10
03089-01004AK	A	stainless steel	1.4034	hardened	black grey RAL 7021	4	5/16-24	18	38,5	15	6	13	4	10	-	1	6	12
03089-01105AL	A	stainless steel	1.4034	hardened	black grey RAL 7021	5	3/8-24	21	43,5	17	7	15	5	13	-	1,3	5	12
03089-01206A5	A	stainless steel	1.4034	hardened	black grey RAL 7021	6	1/2-13	25	51,7	20	8	16	6	14	-	1,8	6	14
03089-01308A6	A	stainless steel	1.4034	hardened	black grey RAL 7021	8	5/8-11	33	68	26	10	21	8	19	-	2,3	15	35
03089-01410A7	A	stainless steel	1.4034	hardened	black grey RAL 7021	10	3/4-10	33	74	28	12	23	10	22	-	2,8	15	40
03089-01412A0	A	stainless steel	1.4034	hardened	black grey RAL 7021	12	3/4-16	33	78	28	14	25	12	22	-	2,8	15	39
03089-01516A8	A	stainless steel	1.4034	hardened	black grey RAL 7021	16	1-8	40	96	32	18	28	16	27	-	3,2	20	46
03089-01903AJ84	A	stainless steel	1.4034	hardened	traffic red RAL 3020	3	1/4-28	14	31,5	12	5	10	3,5	8	-	0,8	4,5	10
03089-01004AK84	A	stainless steel	1.4034	hardened	traffic red RAL 3020	4	5/16-24	18	38,5	15	6	13	4	10	-	1	6	12
03089-01105AL84	A	stainless steel	1.4034	hardened	traffic red RAL 3020	5	3/8-24	21	43,5	17	7	15	5	13	-	1,3	5	12
03089-01206A584	A	stainless steel	1.4034	hardened	traffic red RAL 3020	6	1/2-13	25	51,7	20	8	16	6	14	-	1,8	6	14
03089-01308A684	A	stainless steel	1.4034	hardened	traffic red RAL 3020	8	5/8-11	33	68	26	10	21	8	19	-	2,3	15	35
03089-01410A784	A	stainless steel	1.4034	hardened	traffic red RAL 3020	10	3/4-10	33	74	28	12	23	10	22	-	2,8	15	40
03089-01412A084	A	stainless steel	1.4034	hardened	traffic red RAL 3020	12	3/4-16	33	78	28	14	25	12	22	-	2,8	15	39
03089-01516A884	A	stainless steel	1.4034	hardened	traffic red RAL 3020	16	1-8	40	96	32	18	28	16	27	-	3,2	20	46
03089-11903AJ	A	stainless steel	1.4305	not hardened	black grey RAL 7021	3	1/4-28	14	31,5	12	5	10	3,5	8	-	0,8	4,5	10
03089-11004AK	A	stainless steel	1.4305	not hardened	black grey RAL 7021	4	5/16-24	18	38,5	15	6	13	4	10	-	1	6	12
03089-11105AL	A	stainless steel	1.4305	not hardened	black grey RAL 7021	5	3/8-24	21	43,5	17	7	15	5	13	-	1,3	5	12
03089-11206A5	A	stainless steel	1.4305	not hardened	black grey RAL 7021	6	1/2-13	25	51,7	20	8	16	6	14	-	1,8	6	14
03089-11308A6	A	stainless steel	1.4305	not hardened	black grey RAL 7021	8	5/8-11	33	68	26	10	21	8	19	-	2,3	15	35
03089-11410A7	A	stainless steel	1.4305	not hardened	black grey RAL 7021	10	3/4-10	33	74	28	12	23	10	22	-	2,8	15	40
03089-11412A0	A	stainless steel	1.4305	not hardened	black grey RAL 7021	12	3/4-16	33	78	28	14	25	12	22	-	2,8	15	39
03089-11516A8	A	stainless steel	1.4305	not hardened	black grey RAL 7021	16	1-8	40	96	32	18	28	16	27	-	3,2	20	46
03089-11903AJ84	A	stainless steel	1.4305	not hardened	traffic red RAL 3020	3	1/4-28	14	31,5	12	5	10	3,5	8	-	0,8	4,5	10
03089-11004AK84	A	stainless steel	1.4305	not hardened	traffic red RAL 3020	4	5/16-24	18	38,5	15	6	13	4	10	-	1	6	12
03089-11105AL84	A	stainless steel	1.4305	not hardened	traffic red RAL 3020	5	3/8-24	21	43,5	17	7	15	5	13	-	1,3	5	12
03089-11206A584	A	stainless steel	1.4305	not hardened	traffic red RAL 3020	6	1/2-13	25	51,7	20	8	16	6	14	-	1,8	6	14

Overview of items

Order No.	Form	Main material	Steel code	Surface finish body	Component colour	D	D1	D2	L	L1	L2	L3	Travel S	SW1	SW2	Fx30°	Spring force initial pressure F1 approx. N	Spring force final pressure F2 approx. N
03089-11308A684	A	stainless steel	1.4305	not hardened	traffic red RAL 3020	8	5/8-11	33	68	26	10	21	8	19	-	2,3	15	35
03089-11410A784	A	stainless steel	1.4305	not hardened	traffic red RAL 3020	10	3/4-10	33	74	28	12	23	10	22	-	2,8	15	40
03089-11412A084	A	stainless steel	1.4305	not hardened	traffic red RAL 3020	12	3/4-16	33	78	28	14	25	12	22	-	2,8	15	39
03089-11516A884	A	stainless steel	1.4305	not hardened	traffic red RAL 3020	16	1-8	40	96	32	18	28	16	27	-	3,2	20	46
03089-2903AJ	B	steel	-	hardened	black grey RAL 7021	3	1/4-28	14	31,5	12	5	10	3,5	8	7/16	0,8	4,5	10
03089-22004AK	B	steel	-	hardened	black grey RAL 7021	4	5/16-24	18	38,5	15	6	13	4	10	1/2	1	6	12
03089-2105AL	B	steel	-	hardened	black grey RAL 7021	5	3/8-24	21	43,5	17	7	15	5	13	9/16	1,3	5	12
03089-2206A5	B	steel	-	hardened	black grey RAL 7021	6	1/2-13	25	51,7	20	8	16	6	14	3/4	1,8	6	14
03089-2308A6	B	steel	-	hardened	black grey RAL 7021	8	5/8-11	33	68	26	10	21	8	19	15/16	2,3	15	35
03089-2410A7	B	steel	-	hardened	black grey RAL 7021	10	3/4-10	33	74	28	12	23	10	22	1-1/8	2,8	15	40
03089-2412A0	B	steel	-	hardened	black grey RAL 7021	12	3/4-16	33	78	28	14	25	12	22	1-1/8	2,8	15	39
03089-2516A8	B	steel	-	hardened	black grey RAL 7021	16	1-8	40	96	32	18	28	16	27	1-1/2	3,2	20	46
03089-2903AJ84	B	steel	-	hardened	traffic red RAL 3020	3	1/4-28	14	31,5	12	5	10	3,5	8	7/16	0,8	4,5	10
03089-2004AK84	B	steel	-	hardened	traffic red RAL 3020	4	5/16-24	18	38,5	15	6	13	4	10	1/2	1	6	12
03089-2105AL84	B	steel	-	hardened	traffic red RAL 3020	5	3/8-24	21	43,5	17	7	15	5	13	9/16	1,3	5	12
03089-2206A584	B	steel	-	hardened	traffic red RAL 3020	6	1/2-13	25	51,7	20	8	16	6	14	3/4	1,8	6	14
03089-2308A684	B	steel	-	hardened	traffic red RAL 3020	8	5/8-11	33	68	26	10	21	8	19	15/16	2,3	15	35
03089-2410A784	B	steel	-	hardened	traffic red RAL 3020	10	3/4-10	33	74	28	12	23	10	22	1-1/8	2,8	15	40
03089-2412A084	B	steel	-	hardened	traffic red RAL 3020	12	3/4-16	33	78	28	14	25	12	22	1-1/8	2,8	15	39
03089-2516A884	B	steel	-	hardened	traffic red RAL 3020	16	1-8	40	96	32	18	28	16	27	1-1/2	3,2	20	46
03089-02903AJ	B	stainless steel	1.4034	hardened	black grey RAL 7021	3	1/4-28	14	31,5	12	5	10	3,5	8	7/16	0,8	4,5	10
03089-02004AK	B	stainless steel	1.4034	hardened	black grey RAL 7021	4	5/16-24	18	38,5	15	6	13	4	10	1/2	1	6	12
03089-02105AL	B	stainless steel	1.4034	hardened	black grey RAL 7021	5	3/8-24	21	43,5	17	7	15	5	13	9/16	1,3	5	12
03089-02206A5	B	stainless steel	1.4034	hardened	black grey RAL 7021	6	1/2-13	25	51,7	20	8	16	6	14	3/4	1,8	6	14
03089-02308A6	B	stainless steel	1.4034	hardened	black grey RAL 7021	8	5/8-11	33	68	26	10	21	8	19	15/16	2,3	15	35
03089-02410A7	B	stainless steel	1.4034	hardened	black grey RAL 7021	10	3/4-10	33	74	28	12	23	10	22	1-1/8	2,8	15	40
03089-02412A0	B	stainless steel	1.4034	hardened	black grey RAL 7021	12	3/4-16	33	78	28	14	25	12	22	1-1/8	2,8	15	39
03089-02516A8	B	stainless steel	1.4034	hardened	black grey RAL 7021	16	1-8	40	96	32	18	28	16	27	1-1/2	3,2	20	46
03089-02903AJ84	B	stainless steel	1.4034	hardened	traffic red RAL 3020	3	1/4-28	14	31,5	12	5	10	3,5	8	7/16	0,8	4,5	10
03089-02004AK84	B	stainless steel	1.4034	hardened	traffic red RAL 3020	4	5/16-24	18	38,5	15	6	13	4	10	1/2	1	6	12
03089-02105AL84	B	stainless steel	1.4034	hardened	traffic red RAL 3020	5	3/8-24	21	43,5	17	7	15	5	13	9/16	1,3	5	12
03089-02206A584	B	stainless steel	1.4034	hardened	traffic red RAL 3020	6	1/2-13	25	51,7	20	8	16	6	14	3/4	1,8	6	14
03089-02308A684	B	stainless steel	1.4034	hardened	traffic red RAL 3020	8	5/8-11	33	68	26	10	21	8	19	15/16	2,3	15	35
03089-02410A784	B	stainless steel	1.4034	hardened	traffic red RAL 3020	10	3/4-10	33	74	28	12	23	10	22	1-1/8	2,8	15	40
03089-02412A084	B	stainless steel	1.4034	hardened	traffic red RAL 3020	12	3/4-16	33	78	28	14	25	12	22	1-1/8	2,8	15	39
03089-02516A884	B	stainless steel	1.4034	hardened	traffic red RAL 3020	16	1-8	40	96	32	18	28	16	27	1-1/2	3,2	20	46
03089-12903AJ	B	stainless steel	1.4305	not hardened	black grey RAL 7021	3	1/4-28	14	31,5	12	5	10	3,5	8	7/16	0,8	4,5	10
03089-12004AK	B	stainless steel	1.4305	not hardened	black grey RAL 7021	4	5/16-24	18	38,5	15	6	13	4	10	1/2	1	6	12
03089-12105AL	B	stainless steel	1.4305	not hardened	black grey RAL 7021	5	3/8-24	21	43,5	17	7	15	5	13	9/16	1,3	5	12
03089-12206A5	B	stainless steel	1.4305	not hardened	black grey RAL 7021	6	1/2-13	25	51,7	20	8	16	6	14	3/4	1,8	6	14
03089-12308A6	B	stainless steel	1.4305	not hardened	black grey RAL 7021	8	5/8-11	33	68	26	10	21	8	19	15/16	2,3	15	35
03089-12410A7	B	stainless steel	1.4305	not hardened	black grey RAL 7021	10	3/4-10	33	74	28	12	23	10	22	1-1/8	2,8	15	40
03089-12412A0	B	stainless steel	1.4305	not hardened	black grey RAL 7021	12	3/4-16	33	78	28	14	25	12	22	1-1/8	2,8	15	39
03089-12516A8	B	stainless steel	1.4305	not hardened	black grey RAL 7021	16	1-8	40	96	32	18	28	16	27	1-1/2	3,2	20	46
03089-12903AJ84	B	stainless steel	1.4305	not hardened	traffic red RAL 3020	3	1/4-28	14	31,5	12	5	10	3,5	8	7/16	0,8	4,5	10
03089-12004AK84	B	stainless steel	1.4305	not hardened	traffic red RAL 3020	4	5/16-24	18	38,5	15	6	13	4	10	1/2	1	6	12
03089-12105AL84	B	stainless steel	1.4305	not hardened	traffic red RAL 3020	5	3/8-24	21	43,5	17	7	15	5	13	9/16	1,3	5	12
03089-12206A584	B	stainless steel	1.4305	not hardened	traffic red RAL 3020	6	1/2-13	25	51,7	20	8	16	6	14	3/4	1,8	6	14
03089-12308A684	B	stainless steel	1.4305	not hardened	traffic red RAL 3020	8	5/8-11	33	68	26	10	21	8	19	15/16	2,3	15	35
03089-12410A784	B	stainless steel	1.4305	not hardened	traffic red RAL 3020	10	3/4-10	33	74	28	12	23	10	22	1-1/8	2,8	15	40
03089-12412A084	B	stainless steel	1.4305	not hardened	traffic red RAL 3020	12	3/4-16	33	78	28	14	25	12	22	1-1/8	2,8	15	39
03089-12516A884	B	stainless steel	1.4305	not hardened	traffic red RAL 3020	16	1-8	40	96	32	18	28	16	27	1-1/2	3,2	20	46
03089-3903AJ	C	steel	-	hardened	black grey RAL 7021	3	1/4-28	14	31,5	12	5	10	3,5	8	-	0,8	4,5	10
03089-3004AK	C	steel	-	hardened	black grey RAL 7021	4	5/16-24	18	38,5	15	6	13	4	10	-	1	6	12
03089-3105AL	C	steel	-	hardened	black grey RAL 7021	5	3/8-24	21	43,5	17	7	15	5	13	-	1,3	5	12
03089-3206A5	C	steel	-	hardened	black grey RAL 7021	6	1/2-13	25	51,7	20	8	16	6	14	-	1,8	6	14
03089-3308A6	C	steel	-	hardened	black grey RAL 7021	8	5/8-11	33	68	26	10	21	8	19	-	2,3	15	35
03089-3410A7	C	steel	-	hardened	black grey RAL 7021	10	3/4-10	33	74	28	12	23	10	22	-	2,8	15	40
03089-3412A0	C	steel	-	hardened	black grey RAL 7021	12	3/4-16	33	78	28	14	25	12	22	-	2,8	15	39
03089-3516A8	C	steel	-	hardened	black grey RAL 7021	16	1-8	40	96	32	18	28	16	27	-	3,2	20	46
03089-3903AJ84	C	steel	-	hardened	traffic red RAL 3020	3	1/4-28	14	31,5	12	5	10	3,5	8	-	0,8	4,5	10
03089-3004AK84	C	steel	-	hardened	traffic red RAL 3020	4	5/16-24	18	38,5	15	6	13	4	10	-	1	6	12
03089-3105AL84	C	steel	-	hardened	traffic red RAL 3020	5	3/8-24	21	43,5	17	7	15	5	13	-	1,3	5	12
03089-3206A584	C	steel	-	hardened	traffic red RAL 3020	6	1/2-13	25	51,7	20	8	16	6	14	-	1,8	6	14

Overview of items

Order No.	Form	Main material	Steel code	Surface finish body	Component colour	D	D1	D2	L	L1	L2	L3	Travel S	SW1	SW2	Fx30°	Spring force initial pressure F1 approx. N	Spring force final pressure F2 approx. N
03089-3308A684	C	steel	-	hardened	traffic red RAL 3020	8	5/8-11	33	68	26	10	21	8	19	-	2,3	15	35
03089-3410A784	C	steel	-	hardened	traffic red RAL 3020	10	3/4-10	33	74	28	12	23	10	22	-	2,8	15	40
03089-3412A084	C	steel	-	hardened	traffic red RAL 3020	12	3/4-16	33	78	28	14	25	12	22	-	2,8	15	39
03089-3516A884	C	steel	-	hardened	traffic red RAL 3020	16	1-8	40	96	32	18	28	16	27	-	3,2	20	46
03089-03903AJ	C	stainless steel	1.4034	hardened	black grey RAL 7021	3	1/4-28	14	31,5	12	5	10	3,5	8	-	0,8	4,5	10
03089-03004AK	C	stainless steel	1.4034	hardened	black grey RAL 7021	4	5/16-24	18	38,5	15	6	13	4	10	-	1	6	12
03089-03105AL	C	stainless steel	1.4034	hardened	black grey RAL 7021	5	3/8-24	21	43,5	17	7	15	5	13	-	1,3	5	12
03089-03206A5	C	stainless steel	1.4034	hardened	black grey RAL 7021	6	1/2-13	25	51,7	20	8	16	6	14	-	1,8	6	14
03089-03308A6	C	stainless steel	1.4034	hardened	black grey RAL 7021	8	5/8-11	33	68	26	10	21	8	19	-	2,3	15	35
03089-03410A7	C	stainless steel	1.4034	hardened	black grey RAL 7021	10	3/4-10	33	74	28	12	23	10	22	-	2,8	15	40
03089-03412A0	C	stainless steel	1.4034	hardened	black grey RAL 7021	12	3/4-16	33	78	28	14	25	12	22	-	2,8	15	39
03089-03516A8	C	stainless steel	1.4034	hardened	black grey RAL 7021	16	1-8	40	96	32	18	28	16	27	-	3,2	20	46
03089-03903AJ84	C	stainless steel	1.4034	hardened	traffic red RAL 3020	3	1/4-28	14	31,5	12	5	10	3,5	8	-	0,8	4,5	10
03089-03004AK84	C	stainless steel	1.4034	hardened	traffic red RAL 3020	4	5/16-24	18	38,5	15	6	13	4	10	-	1	6	12
03089-03105AL84	C	stainless steel	1.4034	hardened	traffic red RAL 3020	5	3/8-24	21	43,5	17	7	15	5	13	-	1,3	5	12
03089-03206A584	C	stainless steel	1.4034	hardened	traffic red RAL 3020	6	1/2-13	25	51,7	20	8	16	6	14	-	1,8	6	14
03089-03308A684	C	stainless steel	1.4034	hardened	traffic red RAL 3020	8	5/8-11	33	68	26	10	21	8	19	-	2,3	15	35
03089-03410A784	C	stainless steel	1.4034	hardened	traffic red RAL 3020	10	3/4-10	33	74	28	12	23	10	22	-	2,8	15	40
03089-03412A084	C	stainless steel	1.4034	hardened	traffic red RAL 3020	12	3/4-16	33	78	28	14	25	12	22	-	2,8	15	39
03089-03516A884	C	stainless steel	1.4034	hardened	traffic red RAL 3020	16	1-8	40	96	32	18	28	16	27	-	3,2	20	46
03089-13903AJ	C	stainless steel	1.4305	not hardened	black grey RAL 7021	3	1/4-28	14	31,5	12	5	10	3,5	8	-	0,8	4,5	10
03089-13004AK	C	stainless steel	1.4305	not hardened	black grey RAL 7021	4	5/16-24	18	38,5	15	6	13	4	10	-	1	6	12
03089-13105AL	C	stainless steel	1.4305	not hardened	black grey RAL 7021	5	3/8-24	21	43,5	17	7	15	5	13	-	1,3	5	12
03089-13206A5	C	stainless steel	1.4305	not hardened	black grey RAL 7021	6	1/2-13	25	51,7	20	8	16	6	14	-	1,8	6	14
03089-13308A6	C	stainless steel	1.4305	not hardened	black grey RAL 7021	8	5/8-11	33	68	26	10	21	8	19	-	2,3	15	35
03089-13410A7	C	stainless steel	1.4305	not hardened	black grey RAL 7021	10	3/4-10	33	74	28	12	23	10	22	-	2,8	15	40
03089-13412A0	C	stainless steel	1.4305	not hardened	black grey RAL 7021	12	3/4-16	33	78	28	14	25	12	22	-	2,8	15	39
03089-13516A8	C	stainless steel	1.4305	not hardened	black grey RAL 7021	16	1-8	40	96	32	18	28	16	27	-	3,2	20	46
03089-13903AJ84	C	stainless steel	1.4305	not hardened	traffic red RAL 3020	3	1/4-28	14	31,5	12	5	10	3,5	8	-	0,8	4,5	10
03089-13004AK84	C	stainless steel	1.4305	not hardened	traffic red RAL 3020	4	5/16-24	18	38,5	15	6	13	4	10	-	1	6	12
03089-13105AL84	C	stainless steel	1.4305	not hardened	traffic red RAL 3020	5	3/8-24	21	43,5	17	7	15	5	13	-	1,3	5	12
03089-13206A584	C	stainless steel	1.4305	not hardened	traffic red RAL 3020	6	1/2-13	25	51,7	20	8	16	6	14	-	1,8	6	14
03089-13308A684	C	stainless steel	1.4305	not hardened	traffic red RAL 3020	8	5/8-11	33	68	26	10	21	8	19	-	2,3	15	35
03089-13410A784	C	stainless steel	1.4305	not hardened	traffic red RAL 3020	10	3/4-10	33	74	28	12	23	10	22	-	2,8	15	40
03089-13412A084	C	stainless steel	1.4305	not hardened	traffic red RAL 3020	12	3/4-16	33	78	28	14	25	12	22	-	2,8	15	39
03089-13516A884	C	stainless steel	1.4305	not hardened	traffic red RAL 3020	16	1-8	40	96	32	18	28	16	27	-	3,2	20	46
03089-4903AJ	D	steel	-	hardened	black grey RAL 7021	3	1/4-28	14	31,5	12	5	10	3,5	8	7/16	0,8	4,5	10
03089-4004AK	D	steel	-	hardened	black grey RAL 7021	4	5/16-24	18	38,5	15	6	13	4	10	1/2	1	6	12
03089-4105AL	D	steel	-	hardened	black grey RAL 7021	5	3/8-24	21	43,5	17	7	15	5	13	9/16	1,3	5	12
03089-4206A5	D	steel	-	hardened	black grey RAL 7021	6	1/2-13	25	51,7	20	8	16	6	14	3/4	1,8	6	14
03089-4308A6	D	steel	-	hardened	black grey RAL 7021	8	5/8-11	33	68	26	10	21	8	19	15/16	2,3	15	35
03089-4410A7	D	steel	-	hardened	black grey RAL 7021	10	3/4-10	33	74	28	12	23	10	22	1-1/8	2,8	15	40
03089-4412A0	D	steel	-	hardened	black grey RAL 7021	12	3/4-16	33	78	28	14	25	12	22	1-1/8	2,8	15	39
03089-4516A8	D	steel	-	hardened	black grey RAL 7021	16	1-8	40	96	32	18	28	16	27	1-1/2	3,2	20	46
03089-4903AJ84	D	steel	-	hardened	traffic red RAL 3020	3	1/4-28	14	31,5	12	5	10	3,5	8	7/16	0,8	4,5	10
03089-4004AK84	D	steel	-	hardened	traffic red RAL 3020	4	5/16-24	18	38,5	15	6	13	4	10	1/2	1	6	12
03089-4105AL84	D	steel	-	hardened	traffic red RAL 3020	5	3/8-24	21	43,5	17	7	15	5	13	9/16	1,3	5	12
03089-4206A584	D	steel	-	hardened	traffic red RAL 3020	6	1/2-13	25	51,7	20	8	16	6	14	3/4	1,8	6	14
03089-4308A684	D	steel	-	hardened	traffic red RAL 3020	8	5/8-11	33	68	26	10	21	8	19	15/16	2,3	15	35
03089-4410A784	D	steel	-	hardened	traffic red RAL 3020	10	3/4-10	33	74	28	12	23	10	22	1-1/8	2,8	15	40
03089-4412A084	D	steel	-	hardened	traffic red RAL 3020	12	3/4-16	33	78	28	14	25	12	22	1-1/8	2,8	15	39
03089-4516A884	D	steel	-	hardened	traffic red RAL 3020	16	1-8	40	96	32	18	28	16	27	1-1/2	3,2	20	46
03089-04903AJ	D	stainless steel	1.4034	hardened	black grey RAL 7021	3	1/4-28	14	31,5	12	5	10	3,5	8	7/16	0,8	4,5	10
03089-04004AK	D	stainless steel	1.4034	hardened	black grey RAL 7021	4	5/16-24	18	38,5	15	6	13	4	10	1/2	1	6	12
03089-04105AL	D	stainless steel	1.4034	hardened	black grey RAL 7021	5	3/8-24	21	43,5	17	7	15	5	13	9/16	1,3	5	12
03089-04206A5	D	stainless steel	1.4034	hardened	black grey RAL 7021	6	1/2-13	25	51,7	20	8	16	6	14	3/4	1,8	6	14
03089-04308A6	D	stainless steel	1.4034	hardened	black grey RAL 7021	8	5/8-11	33	68	26	10	21	8	19	15/16	2,3	15	35
03089-04410A7	D	stainless steel	1.4034	hardened	black grey RAL 7021	10	3/4-10	33	74	28	12	23	10	22	1-1/8	2,8	15	40
03089-04412A0	D	stainless steel	1.4034	hardened	black grey RAL 7021	12	3/4-16	33	78	28	14	25	12	22	1-1/8	2,8	15	39
03089-04516A8	D	stainless steel	1.4034	hardened	black grey RAL 7021	16	1-8	40	96	32	18	28	16	27	1-1/2	3,2	20	46
03089-04903AJ84	D	stainless steel	1.4034	hardened	traffic red RAL 3020	3	1/4-28	14	31,5	12	5	10	3,5	8	7/16	0,8	4,5	10
03089-04004AK84	D	stainless steel	1.4034	hardened	traffic red RAL 3020	4	5/16-24	18	38,5	15	6	13	4	10	1/2	1	6	12
03089-04105AL84	D	stainless steel	1.4034	hardened	traffic red RAL 3020	5	3/8-24	21	43,5	17	7	15	5	13	9/16	1,3	5	12
03089-04206A584	D	stainless steel	1.4034	hardened	traffic red RAL 3020	6	1/2-13	25	51,7	20	8	16	6	14	3/4	1,8	6	14

Overview of items

Order No.	Form	Main material	Steel code	Surface finish body	Component colour	D	D1	D2	L	L1	L2	L3	Travel S	SW1	SW2	Fx30°	Spring force initial pressure F1 approx. N	Spring force final pressure F2 approx. N
03089-04308A684	D	stainless steel	1.4034	hardened	traffic red RAL 3020	8	5/8-11	33	68	26	10	21	8	19	15/16	2,3	15	35
03089-04410A784	D	stainless steel	1.4034	hardened	traffic red RAL 3020	10	3/4-10	33	74	28	12	23	10	22	1-1/8	2,8	15	40
03089-04412A084	D	stainless steel	1.4034	hardened	traffic red RAL 3020	12	3/4-16	33	78	28	14	25	12	22	1-1/8	2,8	15	39
03089-04516A884	D	stainless steel	1.4034	hardened	traffic red RAL 3020	16	1-8	40	96	32	18	28	16	27	1-1/2	3,2	20	46
03089-14903AJ	D	stainless steel	1.4305	not hardened	black grey RAL 7021	3	1/4-28	14	31,5	12	5	10	3,5	8	7/16	0,8	4,5	10
03089-14004AK	D	stainless steel	1.4305	not hardened	black grey RAL 7021	4	5/16-24	18	38,5	15	6	13	4	10	1/2	1	6	12
03089-14105AL	D	stainless steel	1.4305	not hardened	black grey RAL 7021	5	3/8-24	21	43,5	17	7	15	5	13	9/16	1,3	5	12
03089-14206A5	D	stainless steel	1.4305	not hardened	black grey RAL 7021	6	1/2-13	25	51,7	20	8	16	6	14	3/4	1,8	6	14
03089-14308A6	D	stainless steel	1.4305	not hardened	black grey RAL 7021	8	5/8-11	33	68	26	10	21	8	19	15/16	2,3	15	35
03089-14410A7	D	stainless steel	1.4305	not hardened	black grey RAL 7021	10	3/4-10	33	74	28	12	23	10	22	1-1/8	2,8	15	40
03089-14412A0	D	stainless steel	1.4305	not hardened	black grey RAL 7021	12	3/4-16	33	78	28	14	25	12	22	1-1/8	2,8	15	39
03089-14516A8	D	stainless steel	1.4305	not hardened	black grey RAL 7021	16	1-8	40	96	32	18	28	16	27	1-1/2	3,2	20	46
03089-14903AJ84	D	stainless steel	1.4305	not hardened	traffic red RAL 3020	3	1/4-28	14	31,5	12	5	10	3,5	8	7/16	0,8	4,5	10
03089-14004AK84	D	stainless steel	1.4305	not hardened	traffic red RAL 3020	4	5/16-24	18	38,5	15	6	13	4	10	1/2	1	6	12
03089-14105AL84	D	stainless steel	1.4305	not hardened	traffic red RAL 3020	5	3/8-24	21	43,5	17	7	15	5	13	9/16	1,3	5	12
03089-14206A584	D	stainless steel	1.4305	not hardened	traffic red RAL 3020	6	1/2-13	25	51,7	20	8	16	6	14	3/4	1,8	6	14
03089-14308A684	D	stainless steel	1.4305	not hardened	traffic red RAL 3020	8	5/8-11	33	68	26	10	21	8	19	15/16	2,3	15	35
03089-14410A784	D	stainless steel	1.4305	not hardened	traffic red RAL 3020	10	3/4-10	33	74	28	12	23	10	22	1-1/8	2,8	15	40
03089-14412A084	D	stainless steel	1.4305	not hardened	traffic red RAL 3020	12	3/4-16	33	78	28	14	25	12	22	1-1/8	2,8	15	39
03089-14516A884	D	stainless steel	1.4305	not hardened	traffic red RAL 3020	16	1-8	40	96	32	18	28	16	27	1-1/2	3,2	20	46