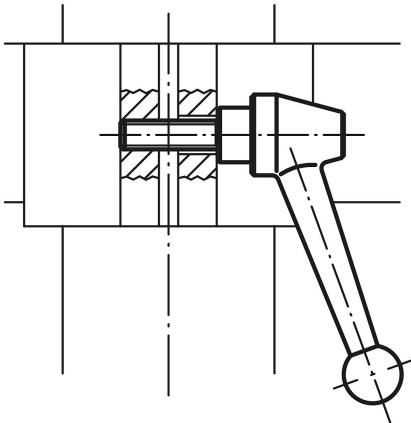
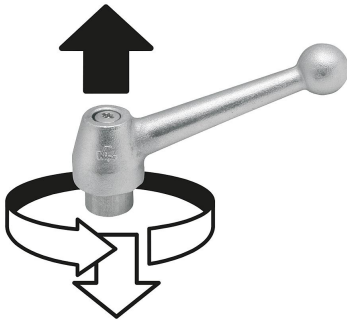


Item description/product images

INCH
Partslift to
disengage

Description

Material:

Handle stainless steel 1.4308.
All other metal parts stainless steel 1.4305.

Version:

Stainless steel grip electropolished.
Steel parts bright.

Note for ordering:

Screws from 70 mm long have 60 mm long threads.

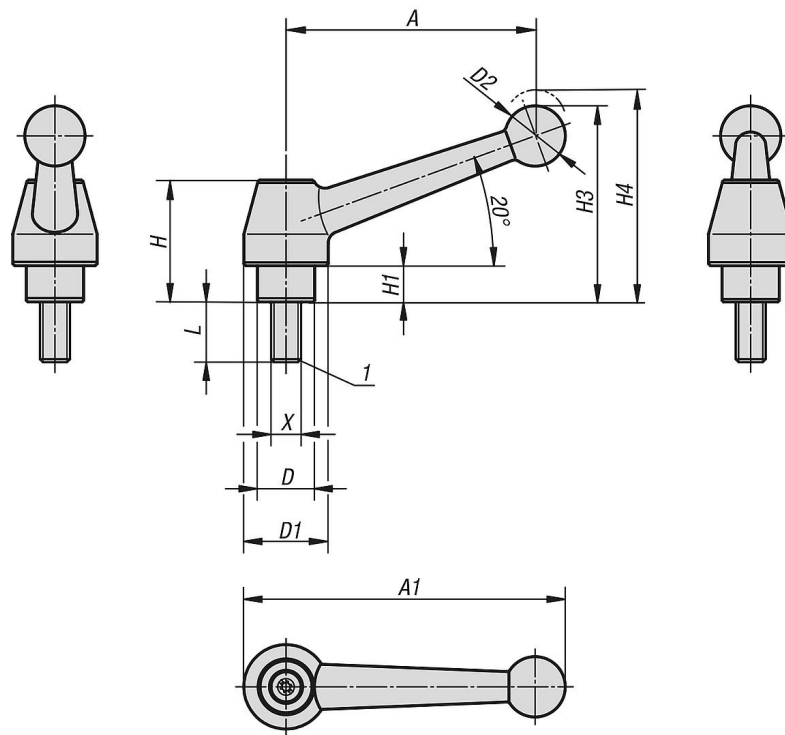
On request:

Other threads, screw lengths and special versions.
Dimension "H1" available in other lengths at extra charge.

Drawing reference:

1) flat point DIN EN ISO 4753

Drawings



Overview of items

Order No.	Main material	Size	X	D	D1	D2	H	H1	H3	H4	A	A1	No. of teeth	L
06441-11A4X20	stainless steel	1	3/8-16	19	28	20	40,5	12	65	68,5	83	107	24	20
06441-11A4X30	stainless steel	1	3/8-16	19	28	20	40,5	12	65	68,5	83	107	24	30
06441-11A4X40	stainless steel	1	3/8-16	19	28	20	40,5	12	65	68,5	83	107	24	40
06441-11A4X45	stainless steel	1	3/8-16	19	28	20	40,5	12	65	68,5	83	107	24	45
06441-11A4X50	stainless steel	1	3/8-16	19	28	20	40,5	12	65	68,5	83	107	24	50
06441-11A4X60	stainless steel	1	3/8-16	19	28	20	40,5	12	65	68,5	83	107	24	60
06441-11A5X20	stainless steel	1	1/2-13	19	28	20	40,5	12	65	68,5	83	107	24	20
06441-11A5X30	stainless steel	1	1/2-13	19	28	20	40,5	12	65	68,5	83	107	24	30
06441-11A5X40	stainless steel	1	1/2-13	19	28	20	40,5	12	65	68,5	83	107	24	40
06441-11A5X45	stainless steel	1	1/2-13	19	28	20	40,5	12	65	68,5	83	107	24	45
06441-11A5X50	stainless steel	1	1/2-13	19	28	20	40,5	12	65	68,5	83	107	24	50
06441-11A5X60	stainless steel	1	1/2-13	19	28	20	40,5	12	65	68,5	83	107	24	60