

Item description/product images

INCH
Partslift to
disengage

Description

Material:

Handle die-cast zinc DIN EN 12844.
Steel parts grade 5.8.

Version:

Handle powder-coated.
Steel parts black oxidised.

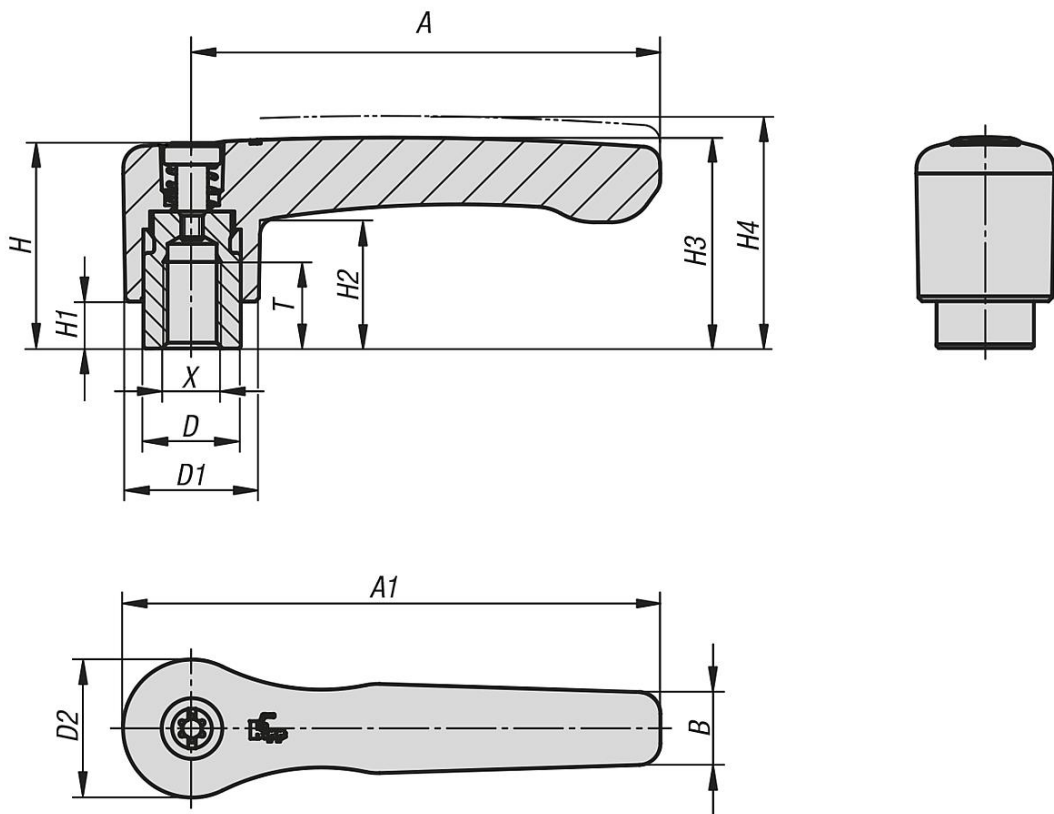
Note:

Standard colours are:
orange RAL 2004.

On request:

Other threads, colours and special versions.
Dimension "H1" available in other lengths at extra charge.

Drawings



Overview of items

Order No.	Main colour	Surface finish body	Size	X	T	D	D1	D2	H	H1	H2	H3	H4	A	A1	B	No. of teeth
06448-2A22	orange RAL 2004	plastic-coated	2	1/4-20	12	13,5	18,5	19,1	28,5	6,5	17,8	29,2	32,2	65	74,5	10,1	20
06448-2A32	orange RAL 2004	plastic-coated	2	5/16-18	12	13,5	18,5	19,1	28,5	6,5	17,8	29,2	32,2	65	74,5	10,1	20
06448-3A32	orange RAL 2004	plastic-coated	3	5/16-18	14	16	21,2	22	37	10	23,8	38	42	80	91	11,7	22
06448-3A42	orange RAL 2004	plastic-coated	3	3/8-16	14	16	21,2	22	37	10	23,8	38	42	80	91	11,7	22