

Item description/product images

INCH
Parts



Description

Material:

Handwheel, reinforced and stabilised polyamide.
Centre caps, polyamide.
Centre bush and tapped insert for cylinder grip, steel.

Version:

Handwheel, oil and grease resistant, black (RAL 9011), satin finish.
Centre caps, grey (RAL 7035).
Centre bush and taped insert for folding grip, black oxidised.

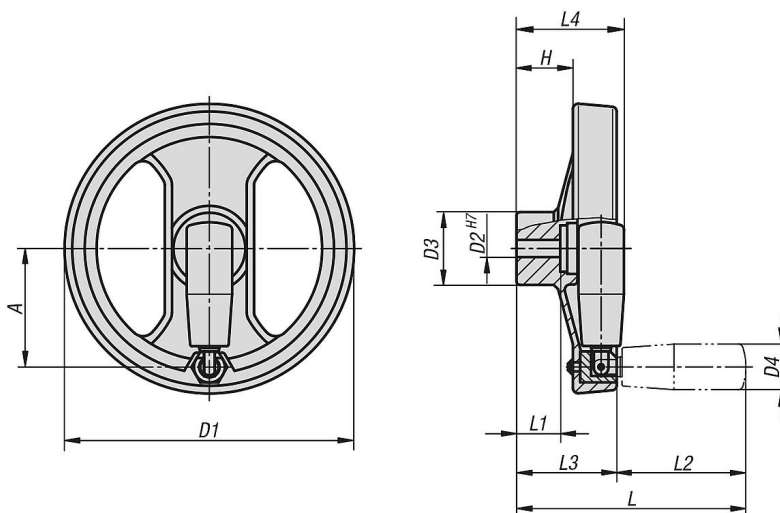
Note:

The H7 tolerance for the bore D2 in the drawing only applies to metric handwheels.
For inch handwheels the tolerance is H10.

On request:

Other cap colours.
Special versions.

Drawings



Overview of items

Order No.	Version 1	D1	D2	D3	D4	A	H	L	L1	L2	L3	L4
06255-6130XCN	reamed hole	129	0,312	32	20	51	29	111	20	59	52	53
06255-6130XCO	reamed hole	129	0,375	32	20	51	29	111	20	59	52	53
06255-6160XCO	reamed hole	159	0,375	40	25	65	31	126	24	71	55	59
06255-6160XCP	reamed hole	159	0,5	40	25	65	31	126	24	71	55	59
06255-6200XCP	reamed hole	200	0,5	54,5	27	80	33	160	28	91	69	69