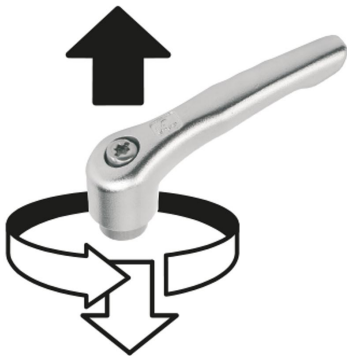




lift to
disengage



Description

Material:

Handle investment cast 1.4308.
Other steel parts 1.4305.

Version:

Handle electropolished.
Steel parts bright.

Note for ordering:

Screws from 70 mm long have 60 mm long threads.

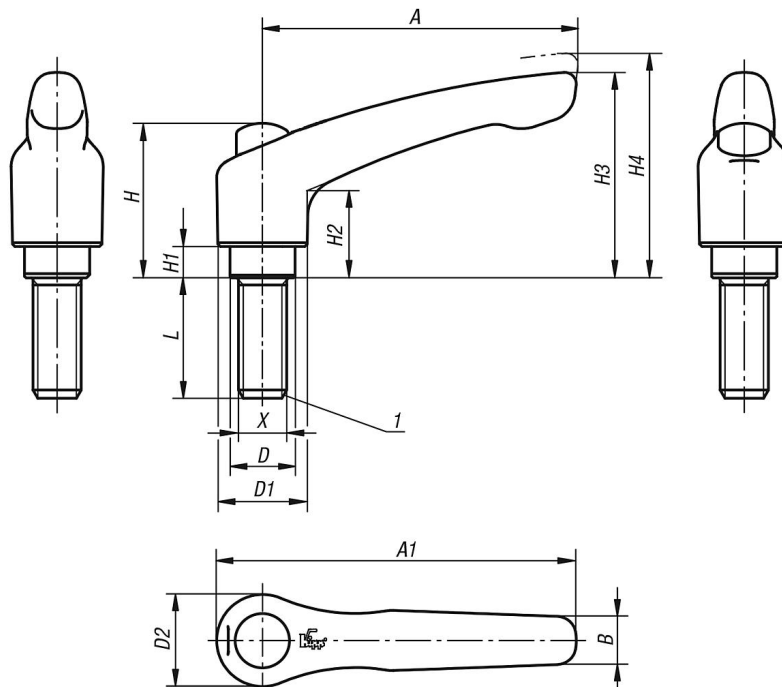
On request:

Other threads, screw lengths and special versions.
Dimension "H1" available in other lengths at extra charge.

Drawing reference:

1) flat point DIN EN ISO 4753

Drawings



Overview of items

| Order No. | Size | X | D | D1 | D2 | H | H1 | H2 | H3 | H4 | A | A1 | B | No. of teeth | L |
|-------------|------|---------|------|------|----|------|-----|------|------|------|----|------|----|--------------|----------------------|
| 06464-92A2X | 2 | 1/4-20 | 13,5 | 18,5 | 19 | 32 | 6,5 | 17,5 | 42,5 | 45,5 | 65 | 74,5 | 10 | 10 | 15/20/25/30/40/50/60 |
| 06464-92A3X | 2 | 5/16-18 | 13,5 | 18,5 | 19 | 32 | 6,5 | 17,5 | 42,5 | 45,5 | 65 | 74,5 | 10 | 10 | 15/20/25/30/40/50/60 |
| 06464-92A4X | 2 | 3/8-16 | 13,5 | 18,5 | 19 | 32 | 6,5 | 17,5 | 42,5 | 45,5 | 65 | 74,5 | 10 | 10 | 20/25/30/40/50/60 |
| 06464-93A3X | 3 | 5/16-18 | 16 | 21 | 22 | 41,5 | 10 | 24 | 54,5 | 58,5 | 80 | 91 | 11 | 11 | 20/25/30/40/50/60 |
| 06464-93A4X | 3 | 3/8-16 | 16 | 21 | 22 | 41,5 | 10 | 24 | 54,5 | 58,5 | 80 | 91 | 11 | 11 | 20/25/30/40/50/60 |