

Item description/product images

INCH
Partslift to
disengage

Description

Version:

Handle powder-coated.
Steel parts black oxidised.
Caps bright stainless steel.

Note:

Standard colours are:
orange RAL 2004.

Where L is ≥ 60 mm the thread length is 60 mm.

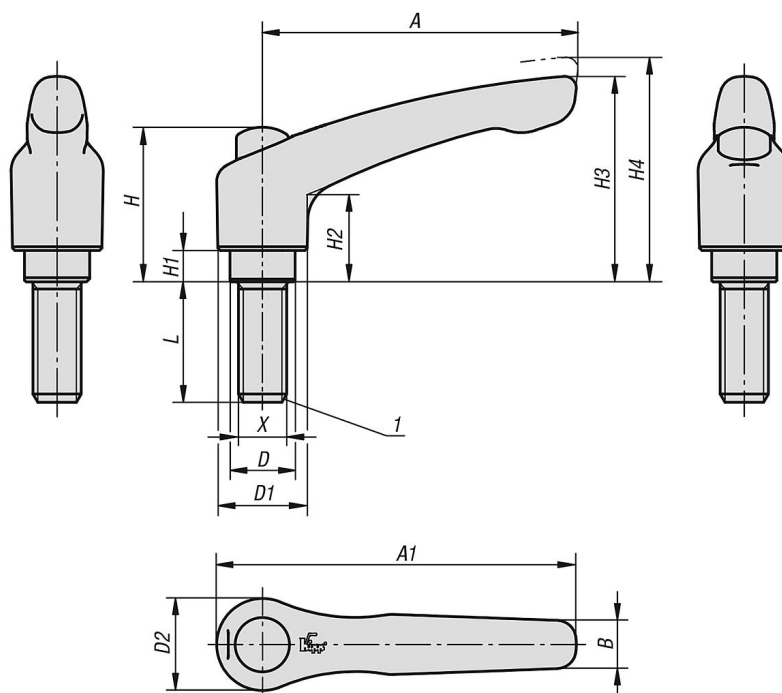
On request:

Other female threads, colours and special versions.
Dimension "H1" available in other lengths at extra charge.

Drawing reference:

1) flat point DIN EN ISO 4753

Drawings



Overview of items

Order No. orange RAL 2004	Size	X	D	D1	D2	H	H1	H2	H3	H4	A	A1	B	No. of teeth	L
06460-92A22X	2	1/4-20	13,5	18,5	19	32	6,5	17,5	42,5	45,5	65	74,5	9,5	20	15/20/25/30/35/40/45/50/55/60
06460-92A32X	2	5/16-18	13,5	18,5	19	32	6,5	17,5	42,5	45,5	65	74,5	9,5	20	15/20/25/30/35/40/45/50/55/60
06460-92A42X	2	3/8-16	13,5	18,5	19	32	6,5	17,5	42,5	45,5	65	74,5	9,5	20	15/20/25/30/35/40/45/50/55/60
06460-93A32X	3	5/16-18	16	21	22	41,5	10	24	54,5	58,5	80	91	11	22	15/20/25/30/35/40/45/50/55/60
06460-93A42X	3	3/8-16	16	21	22	41,5	10	24	54,5	58,5	80	91	11	22	15/20/25/30/35/40/45/50/55/60