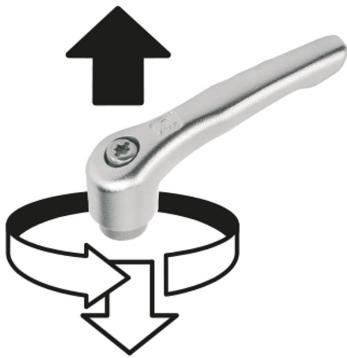


Item description/product images



lift to
disengage



Description

Material:

Handle investment cast 1.4308.

Other steel parts 1.4305.

Version:

Handle electropolished.

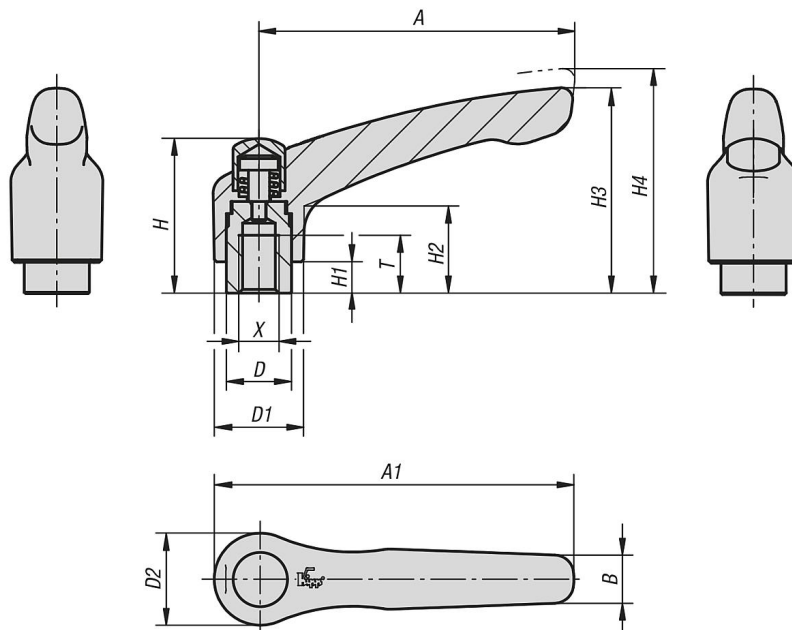
Steel parts bright.

On request:

Other threads and special versions.

Dimension "H1" available in other lengths at extra charge.

Drawings



Overview of items

Overview of items

Clamping Levers with protective cap, Modern Design Style, stainless steel, female thread, inch

Order No.	Size	X	T	D	D1	D2	H	H1	H2	H3	H4	A	A1	B	No. of teeth
06454-92A2	2	1/4-20	12	13,5	18,5	19	32	6,5	17,5	42,5	45,5	65	74,5	10	10
06454-92A3	2	5/16-18	12	13,5	18,5	19	32	6,5	17,5	42,5	45,5	65	74,5	10	10
06454-93A3	3	5/16-18	14	16	21	22	41,5	10	24	54,5	58,5	80	91	11	11
06454-93A4	3	3/8-16	14	16	21	22	41,5	10	24	54,5	58,5	80	91	11	11