

Item description/product images

INCH  
Parts



lift to  
disengage



Description

Material:

Handle die-cast zinc DIN EN 12844.  
Steel parts grade 5.8.  
Protective cap stainless steel 1.4305.

Version:

Handle powder-coated.  
Steel parts black oxidised.  
Caps bright stainless steel.

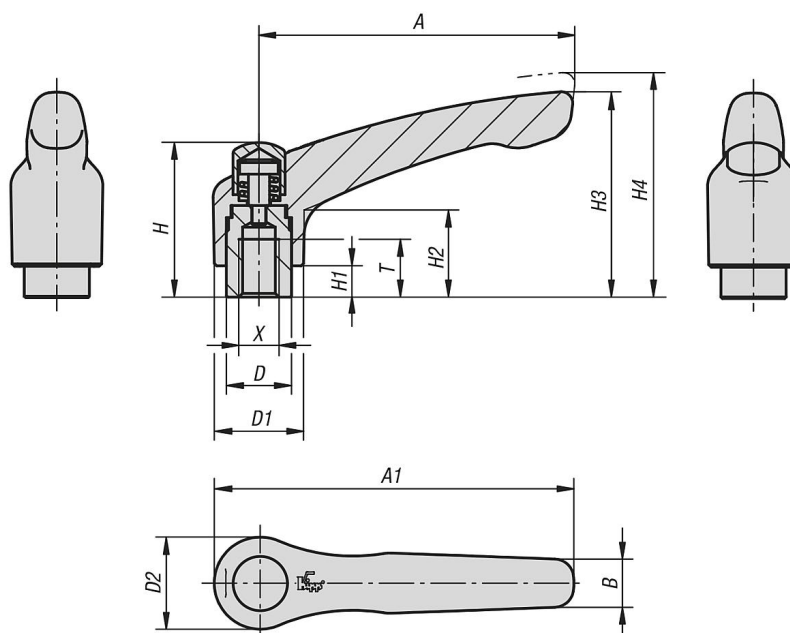
Note:

Standard colours are:  
orange RAL 2004.

On request:

Other threads, colours and special versions.  
Dimension "H1" available in other lengths at extra charge.

Drawings



## Overview of items

Order No.	Main colour	Size	X	T	D	D1	D2	H	H1	H2	H3	H4	A	A1	B	No. of teeth
06450-92A22	orange RAL 2004	2	1/4-20	12	13,5	18,5	19	32	6,5	17,5	42,5	45,5	65	74,5	9,5	20
06450-92A32	orange RAL 2004	2	5/16-18	12	13,5	18,5	19	32	6,5	17,5	42,5	45,5	65	74,5	9,5	20
06450-93A32	orange RAL 2004	3	5/16-18	14	16	21	22	41,5	10	24	54,5	58,5	80	91	11	22
06450-93A42	orange RAL 2004	3	3/8-16	14	16	21	22	41,5	10	24	54,5	58,5	80	91	11	22