

## Item description/product images

INCH  
Parts

## Description

**Material:**

Black grey thermoplastic.

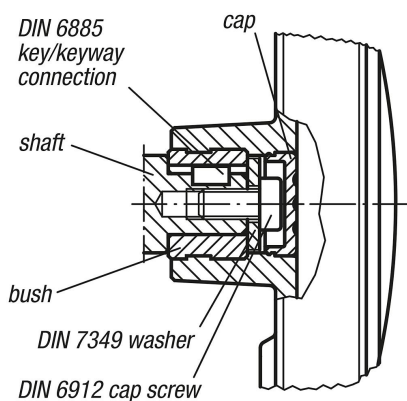
**Version:**

Steel parts black oxidised.

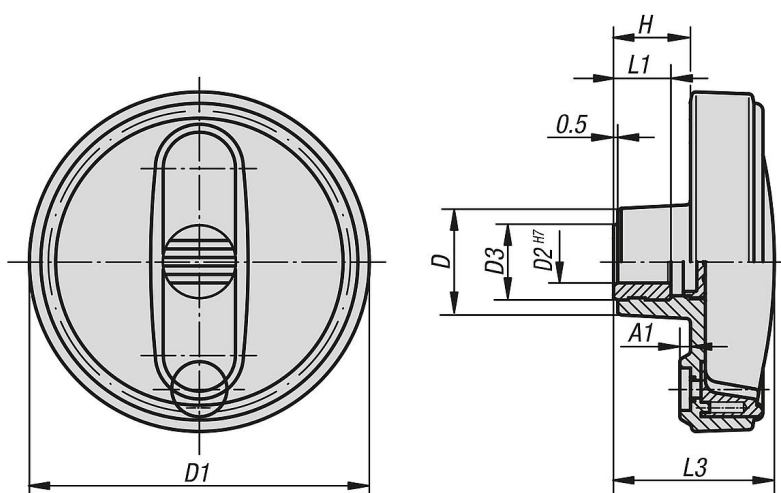
**Note:**

The hub cap is supplied loose.

The handwheels can be secured using a transverse pin or by parallel key connection together with a DIN 6912 socket head screw and a DIN 7349 washer.



## Drawings



## Overview of items

Order No.	Size	D	D1	D2	D3	A1	H	L1	L3
06262-1080CO	1	25	80	0,375	19	2,5	17,5	13	37,5
06262-2100CO	2	28	100	0,375	19	3	20	13	44
06262-2100CP	2	28	100	0,5	19	3	20	13	44
06262-3125CP	3	35	125	0,5	25	4	23,5	18,5	53
06262-4160CP	4	45	160	0,5	25	5,6	28	18,5	64,5

## Overview of items

Order No.	Size	D	D1	D2	D3	A1	H	L1	L3
06262-4160CQ	4	45	160	0,625	25	5,6	28	18,5	64,5