

Item description/product images

INCH
Parts

Description

Material:

Handle fibreglass reinforced plastic with die-cast zinc toothed ring.
Steel parts grade 5.8.

Version:

Steel parts black oxidised.

On request:

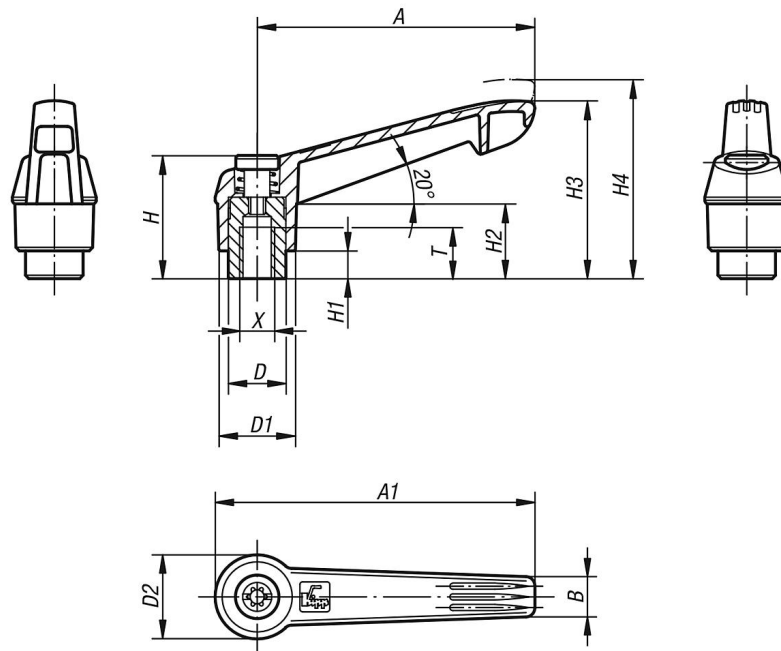
Other threads and special versions.

Dimension "H1" available in other lengths at extra charge.

Item description/product images



Drawings



Overview of items

Clamping Levers, Modern Design Style, with female thread, components in steel, inch

Order No.	Size	X	T	D	D1	D2	H	H1	H2	H3	H4	A	A1	B	No. of teeth
06600-1AEΔ	1	8-32	9	10	13	14,5	24,5	4	15	30	33,5	40	47	7,5	16
06600-1A0Δ	1	10-24	9	10	13	14,5	24,5	4	15	30	33,5	40	47	7,5	16
06600-1A1Δ	1	10-32	9	10	13	14,5	24,5	4	15	30	33,5	40	47	7,5	16
06600-1A2Δ	1	1/4-20	9	10	13	14,5	24,5	4	15	30	33,5	40	47	7,5	16
06600-2A2Δ	2	1/4-20	12	13,5	18	19,5	28,5	6,5	17,5	41,5	45,5	65	75	9,5	20
06600-2A3Δ	2	5/16-18	12	13,5	18	19,5	28,5	6,5	17,5	41,5	45,5	65	75	9,5	20
06600-3A3Δ	3	5/16-18	14	16	21,5	23	37	10	24	53,5	58	80	91,5	11	22
06600-3A4Δ	3	3/8-16	14	16	21,5	23	37	10	24	53,5	58	80	91,5	11	22
06600-4A4Δ	4	3/8-16	17	19	25,5	27,5	43	10	26	61	66	95	109	13	24
06600-4A5Δ	4	1/2-13	17	19	25,5	27,5	43	10	26	61	66	95	109	13	24
06600-5A5Δ	5	1/2-13	23	23	30	32,5	49	12	33	72	77	110	126	15,5	26
06600-5A6Δ	5	5/8-11	23	23	30	32,5	49	12	33	72	77	110	126	15,5	26