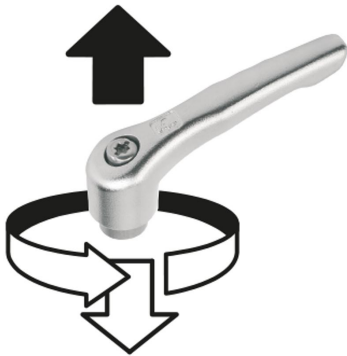


Item description/product images



lift to
disengage

**Description****Material:**

Handle investment cast 1.4308.

Other steel parts 1.4305.

Version:

Handle electropolished.

Steel parts bright.

Note for ordering:

Screws from 70 mm long have 60 mm long threads.

On request:

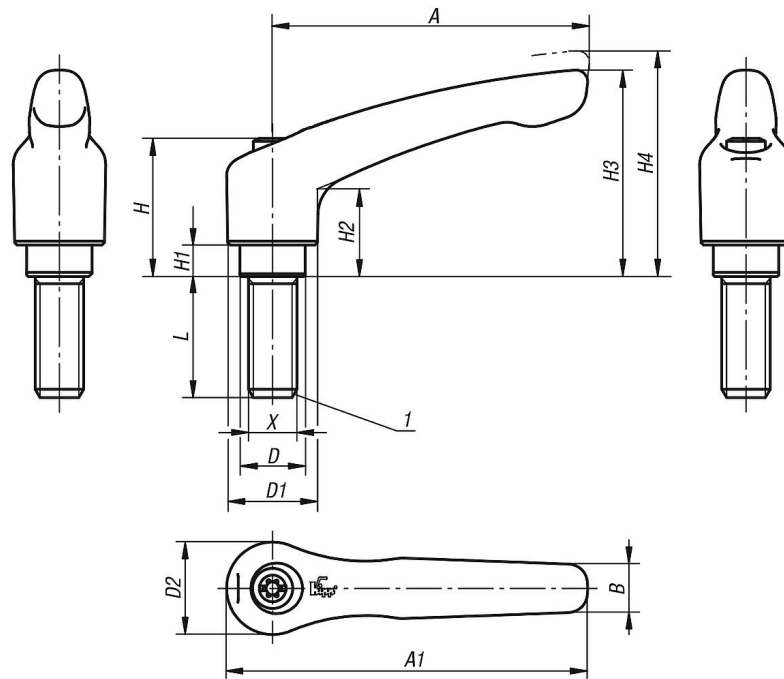
Other threads, screw lengths and special versions.

Dimension "H1" available in other lengths at extra charge.

Drawing reference:

1) flat point DIN EN ISO 4753

Drawings



Overview of items

| Order No. | Size | X | D | D1 | D2 | H | H1 | H2 | H3 | H4 | A | A1 | B | No. of teeth | L |
|------------|------|---------|------|------|------|------|-----|------|------|------|-----|------|----|--------------|----------------------|
| 06464-1A0X | 1 | 10-24 | 10 | 13 | 14 | 24,5 | 4 | 14,5 | 31 | 34 | 40 | 47 | 7 | 16 | 10/15/20/25 |
| 06464-1A1X | 1 | 10-32 | 10 | 13 | 14 | 24,5 | 4 | 14,5 | 31 | 34 | 40 | 47 | 7 | 16 | 10/15/20/25 |
| 06464-1A2X | 1 | 1/4-20 | 10 | 13 | 14 | 24,5 | 4 | 14,5 | 31 | 34 | 40 | 47 | 7 | 16 | 10/15/20/25/30/40/50 |
| 06464-2A2X | 2 | 1/4-20 | 13,5 | 18,5 | 19 | 28,5 | 6,5 | 17,5 | 42,5 | 45,5 | 65 | 74,5 | 10 | 20 | 15/20/25/30/40/50/60 |
| 06464-2A3X | 2 | 5/16-18 | 13,5 | 18,5 | 19 | 28,5 | 6,5 | 17,5 | 42,5 | 45,5 | 65 | 74,5 | 10 | 20 | 15/20/25/30/40/50/60 |
| 06464-2A4X | 2 | 3/8-16 | 13,5 | 18,5 | 19 | 28,5 | 6,5 | 17,5 | 42,5 | 45,5 | 65 | 74,5 | 10 | 20 | 20/25/30/40/50/60 |
| 06464-3A3X | 3 | 5/16-18 | 16 | 21 | 22 | 37 | 10 | 24 | 54,5 | 58,5 | 80 | 91 | 11 | 22 | 20/25/30/40/50/60 |
| 06464-3A4X | 3 | 3/8-16 | 16 | 21 | 22 | 37 | 10 | 24 | 54,5 | 58,5 | 80 | 91 | 11 | 22 | 20/25/30/40/50/60 |
| 06464-4A5X | 4 | 1/2-13 | 19 | 27 | 27,5 | 43 | 10 | 27 | 63 | 67,5 | 95 | 109 | 13 | 24 | 25/30/40/50/60 |
| 06464-5A6X | 5 | 5/8-11 | 23 | 31 | 32 | 49 | 12 | 31,5 | 73 | 77,5 | 110 | 126 | 15 | 26 | 30/40/50/60 |