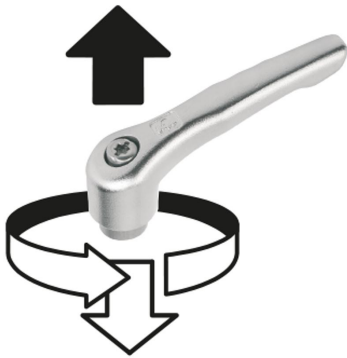


## Item description/product images



lift to  
disengage



## Description

**Material:**

Handle investment cast 1.4308.

Other steel parts 1.4305.

**Version:**

Handle electropolished.

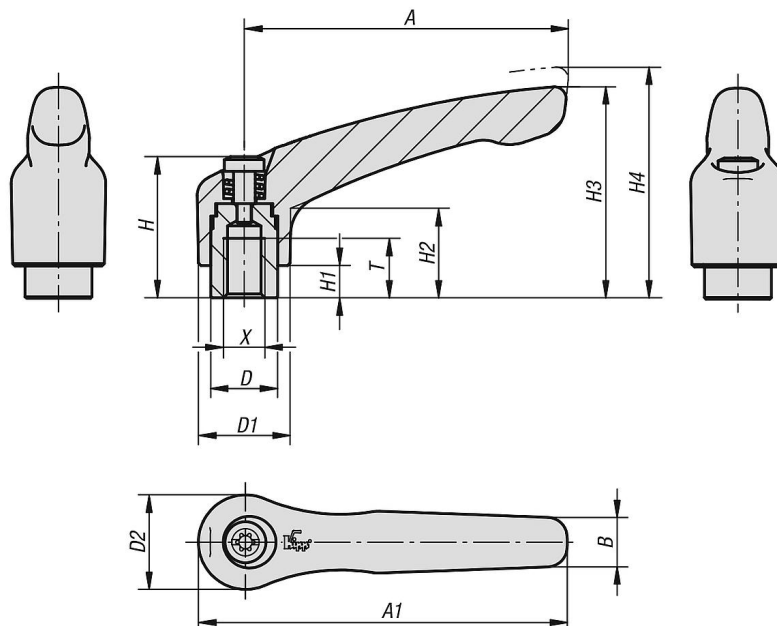
Steel parts bright.

**On request:**

Other threads and special versions.

Dimension "H1" available in other lengths at extra charge.

## Drawings



## Overview of items

## Overview of items

## Adjustable Handle, Modern Design Style, stainless steel, female thread

Order No.	Size	X	T	D	D1	D2	H	H1	H2	H3	H4	A	A1	B	No. of teeth
06454-1A0	1	10-24	9	10	13	14	24,5	4	14,5	31	34	40	47	7	16
06454-1A1	1	10-32	9	10	13	14	24,5	4	14,5	31	34	40	47	7	16
06454-1A2	1	1/4-20	9	10	13	14	24,5	4	14,5	31	34	40	47	7	16
06454-2A2	2	1/4-20	12	13,5	18,5	19	28,5	6,5	17,5	42,5	45,5	65	74,5	10	20
06454-2A3	2	5/16-18	12	13,5	18,5	19	28,5	6,5	17,5	42,5	45,5	65	74,5	10	20
06454-3A3	3	5/16-18	14	16	21	22	37	10	24	54,5	58,5	80	91	11	22
06454-3A4	3	3/8-16	14	16	21	22	37	10	24	54,5	58,5	80	91	11	22
06454-4A4	4	3/8-16	17	19	27	27,5	43	10	27	63	67,5	95	109	13	24
06454-4A5	4	1/2-13	17	19	27	27,5	43	10	27	63	67,5	95	109	13	24
06454-5A5	5	1/2-13	23	23	31	32	49	12	31,5	73	77,5	110	126	15	26
06454-5A6	5	5/8-11	23	23	31	32	49	12	31,5	73	77,5	110	126	15	26