

Item description/product images

INCH
Parts

Description

Material:

Handle steel 1.0401.

All other steel parts grade 5.8.

Version:

Handle painted silver-grey hammer-tone.

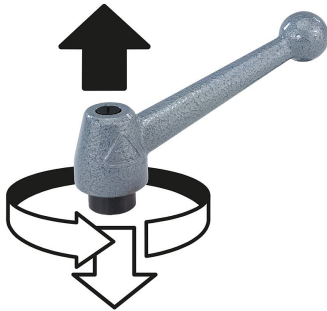
Steel parts black oxidised.

On request:

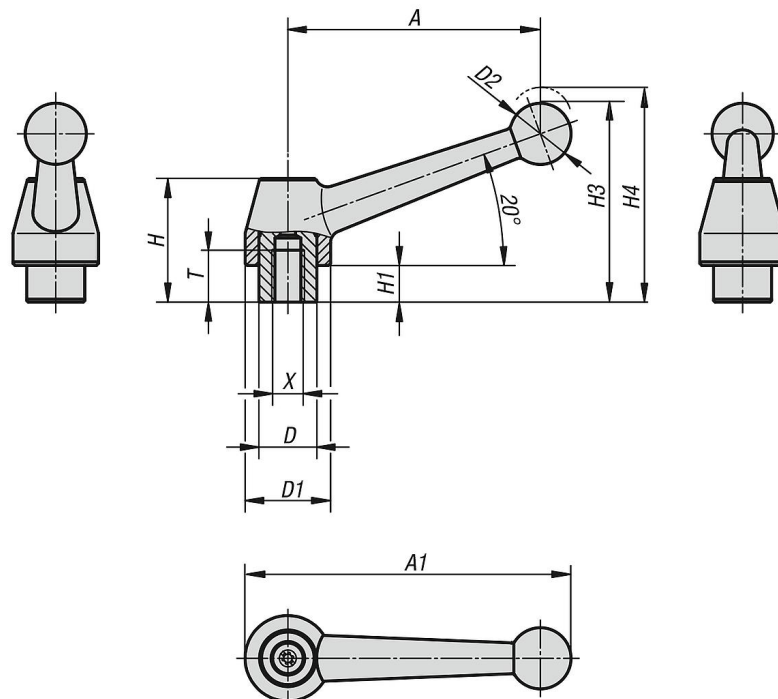
Other threads and special versions.

Dimension "H1" available in other lengths at extra charge.

lift to
disengage



Drawings



Overview of items

Clamping Levers, Classic Ball Style, with female thread, inch

Order No.	Main material	X	A	A1	T	D	D1	D2	H	H1	H3	H4	No. of teeth
06440-1A3	steel	5/16-18	83	107	17	19	28	20	40,5	12	65	68,5	24
06440-1A4	steel	3/8-16	83	107	17	19	28	20	40,5	12	65	68,5	24
06440-1A5	steel	1/2-13	83	107	17	19	28	20	40,5	12	65	68,5	24
06440-2A5	steel	1/2-13	108	138,5	23	23	35	25	51,5	12	79,5	84	26
06440-2A6	steel	5/8-11	108	138,5	23	23	35	25	51,5	12	79,5	84	26
06440-3A6	steel	5/8-11	132	168	27	30	43	30	60	12	93	97,5	36
06440-3A7	steel	3/4-10	132	168	27	30	43	30	60	12	93	97,5	36