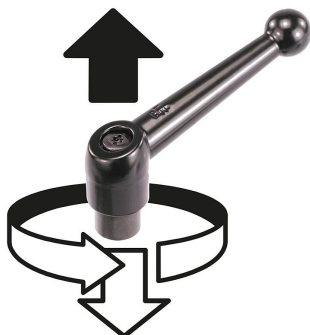


## Item description/product images



lift to  
disengage



## Description

**Material:**

Handle die-cast zinc DIN EN 12844.  
Steel parts stainless steel 1.4305.

**Version:**

Handle powder-coated.  
Stainless steel bright.

**Note for ordering:**

Screws from 70 mm long have 60 mm long threads.

**Note:**

Standard colours are:  
black satin finish, silver metallic.

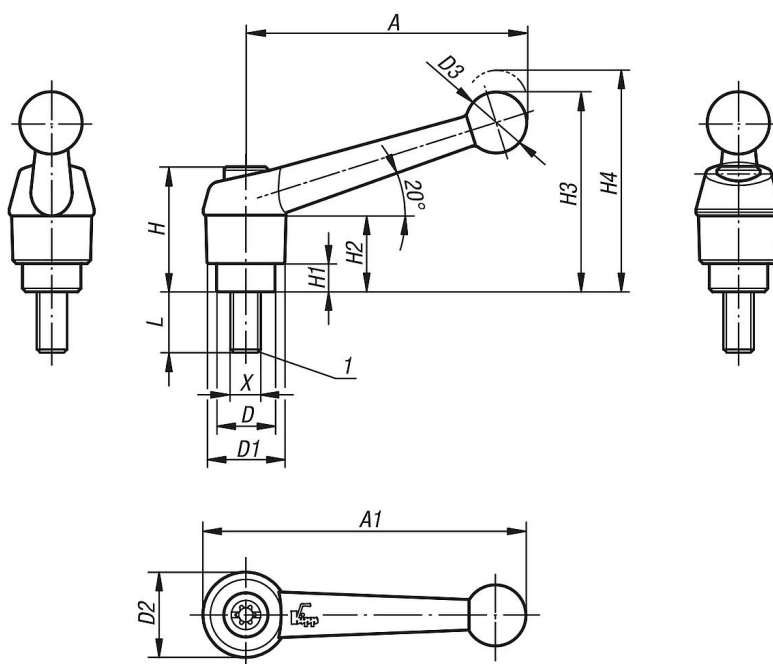
**On request:**

Other male threads, screw lengths, colours and special versions.  
Dimension "H1" available in other lengths at extra charge.

**Drawing reference:**

1) flat point DIN EN ISO 4753

## Drawings



## Overview of items

Order No. black	Order No. silver metallic	Size	X	D	D1	D2	D3	H	H1	H2	H3	H4	A	A1	No. of teeth	L
06431-1A01X	06431-1A03X	1	10-24	10	13	14	10,5	24,5	4	15	32,5	35,5	39	46	16	15/20/25
06431-1A11X	06431-1A13X	1	10-32	10	13	14	10,5	24,5	4	15	32,5	35,5	39	46	16	15/20/25
06431-1A21X	06431-1A23X	1	1/4-20	10	13	14	10,5	24,5	4	15	32,5	35,5	39	46	16	10/15/20/25/30/40/50
06431-2A21X	06431-2A23X	2	1/4-20	13,5	18	18,5	15,5	28,5	6,5	16,5	45,5	49,5	64	73	20	15/20/25/30/40/50/60
06431-2A31X	06431-2A33X	2	5/16-18	13,5	18	18,5	15,5	28,5	6,5	16,5	45,5	49,5	64	73	20	15/20/25/30/40/50/60
06431-2A41X	06431-2A43X	2	3/8-16	13,5	18	18,5	15,5	28,5	6,5	16,5	45,5	49,5	64	73	20	20/25/30/40/50/60
06431-3A31X	06431-3A33X	3	5/16-18	16	21	22	17	37	10	23	57,5	61,5	79	90	22	20/25/30/40/50/60
06431-3A41X	06431-3A43X	3	3/8-16	16	21	22	17	37	10	23	57,5	61,5	79	90	22	20/25/30/40/50/60
06431-4A51X	06431-4A53X	4	1/2-13	19	25	26	19	42,5	10	26	67	72	95	108	24	25/30/40/50/60
06431-5A61X	06431-5A63X	5	5/8-11	23	30	31	22	49	12	32	79	84	110	126	26	30/40/50/60