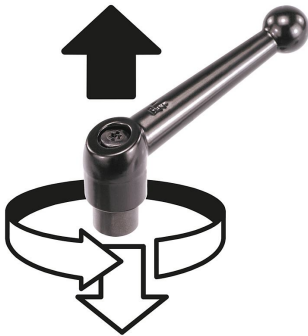


## Item description/product images

INCH  
Partslift to  
disengage

## Description

**Material:**

Handle die-cast zinc DIN EN 12844.  
Steel parts grade 5.8.

**Version:**

Handle powder-coated.  
Steel black oxidised.

**Note:**

Standard colours are:  
black satin finish, silver metallic.

Where  $L \geq 60$  mm the thread length is always 60 mm.

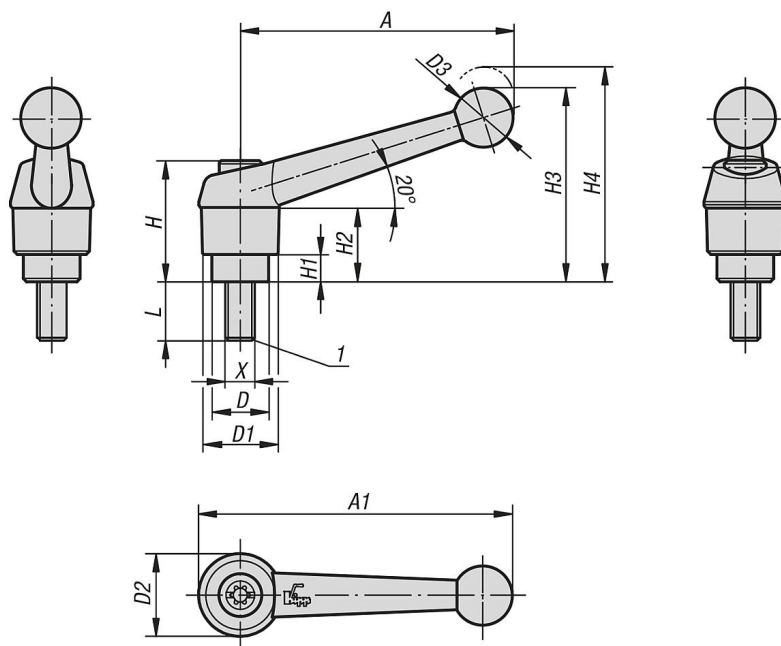
**On request:**

Other threads, screw lengths, colours and special versions.  
Dimension "H1" available in other lengths at extra charge.

**Drawing reference:**

1) flat point DIN EN ISO 4753

Drawings



Overview of items

Order No. black	Order No. silver metallic	Size	X	D	D1	D2	D3	H	H1	H2	H3	H4	A	A1	No. of teeth	L
06430-1A01X	06430-1A03X	1	10-24	10	13	14	10,5	24,5	4	15	32,5	35,5	39	46	16	10/15/20/25/30/35/40/45/50
06430-1A11X	06430-1A13X	1	10-32	10	13	14	10,5	24,5	4	15	32,5	35,5	39	46	16	10/15/20/25/30/35/40/45/50
06430-1A21X	06430-1A23X	1	1/4-20	10	13	14	10,5	24,5	4	15	32,5	35,5	39	46	16	10/15/20/25/30/35/40/45/50
06430-2A21X	06430-2A23X	2	1/4-20	13,5	18	18,5	15,5	28,5	6,5	16,5	45,5	49,5	64	73	20	15/20/25/30/35/40/45/50/55/60
06430-2A31X	06430-2A33X	2	5/16-18	13,5	18	18,5	15,5	28,5	6,5	16,5	45,5	49,5	64	73	20	15/20/25/30/35/40/45/50/55/60
06430-2A41X	06430-2A43X	2	3/8-16	13,5	18	18,5	15,5	28,5	6,5	16,5	45,5	49,5	64	73	20	15/20/25/30/35/40/45/50/55/60
06430-3A31X	06430-3A33X	3	5/16-18	16	21	22	17	37	10	23	57,5	61,5	79	90	22	15/20/25/30/35/40/45/50/55/60
06430-3A41X	06430-3A43X	3	3/8-16	16	21	22	17	37	10	23	57,5	61,5	79	90	22	15/20/25/30/35/40/45/50/55/60
06430-4A41X	06430-4A43X	4	3/8-16	19	25	26	19	42,5	10	26	67	72	95	108	24	20/25/30/35/40/45/50/55/60/70/80/90
06430-4A51X	06430-4A53X	4	1/2-13	19	25	26	19	42,5	10	26	67	72	95	108	24	20/25/30/35/40/45/50/55/60/70/80/90
06430-5A51X	06430-5A53X	5	1/2-13	23	30	31	22	49	12	32	79	84	110	126	26	25/30/35/40/45/50/55/60/70/80/90
06430-5A61X	06430-5A63X	5	5/8-11	23	30	31	22	49	12	32	79	84	110	126	26	25/30/35/40/45/50/55/60/70/80/90