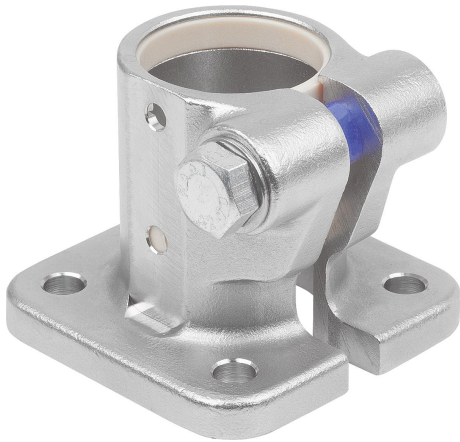


Item description/product images



Description

Material:

Stainless steel, investment cast 1.4308.

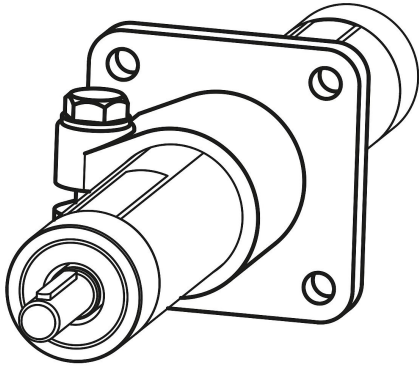
Screws, stainless steel A2.

Version:

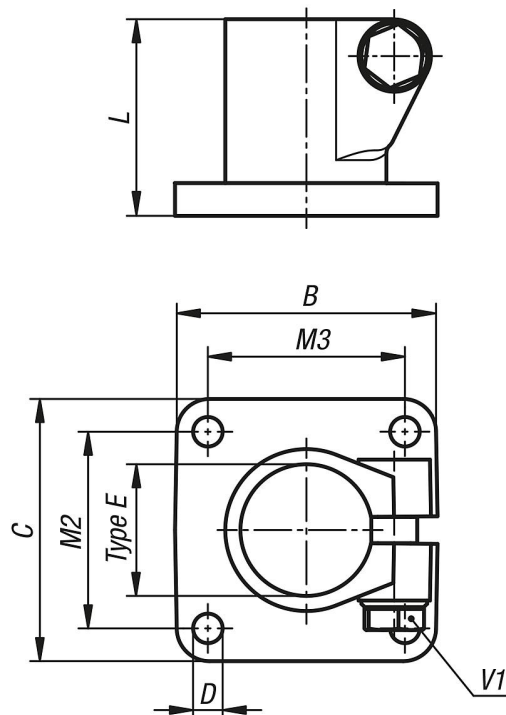
Electropolished.

On request:

Clamping levers for tightening.



Drawings



Overview of items

Order No.	Type E	B	C	D	L	M2	M3	V1
29135-130	30	60	60	7	50	40	40	M8x30
29135-140	40	80	80	9	60	60	60	M10x35