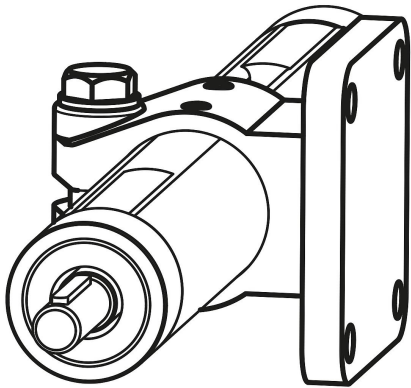
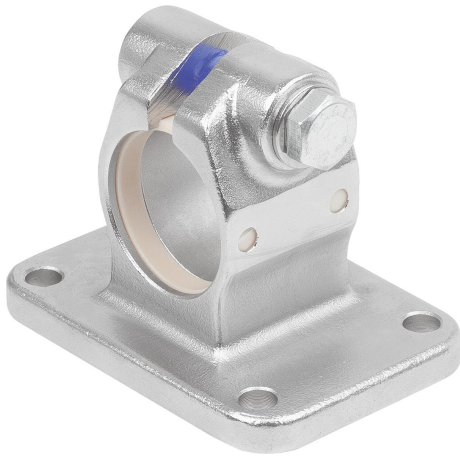


Item description/product images



Description

Material:

Stainless steel, investment cast 1.4308.
Screws, stainless steel A2.

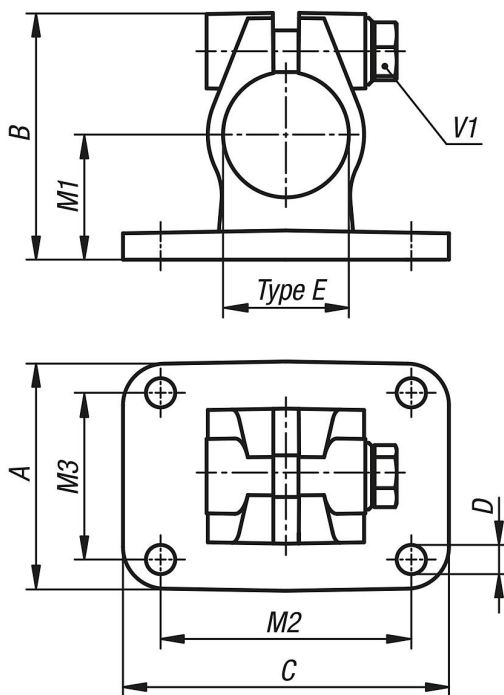
Version:

Electropolished.

On request:

Clamping levers for tightening.

Drawings



Overview of items

Order No.	Type E	A	B	C	D	M1	M2	M3	V1
29130-130	30	55	59	78	7	30	60	40	M8x30
29130-140	40	80	80	80	9	42	60	60	M10x35