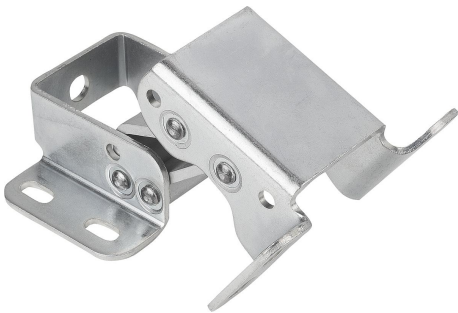
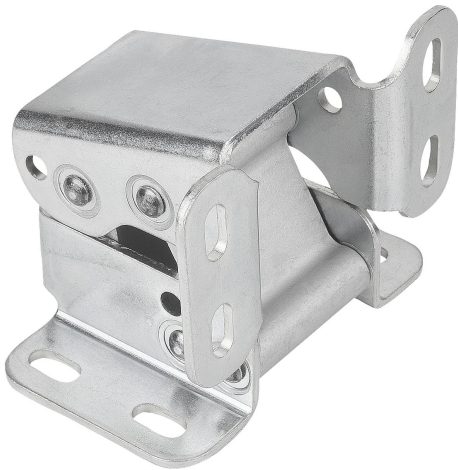


Item description/product images



**Description**

**Material:**

Steel, pins and connecting elements anodised aluminium.

**Version:**

Electro zinc-plated.

**Note:**

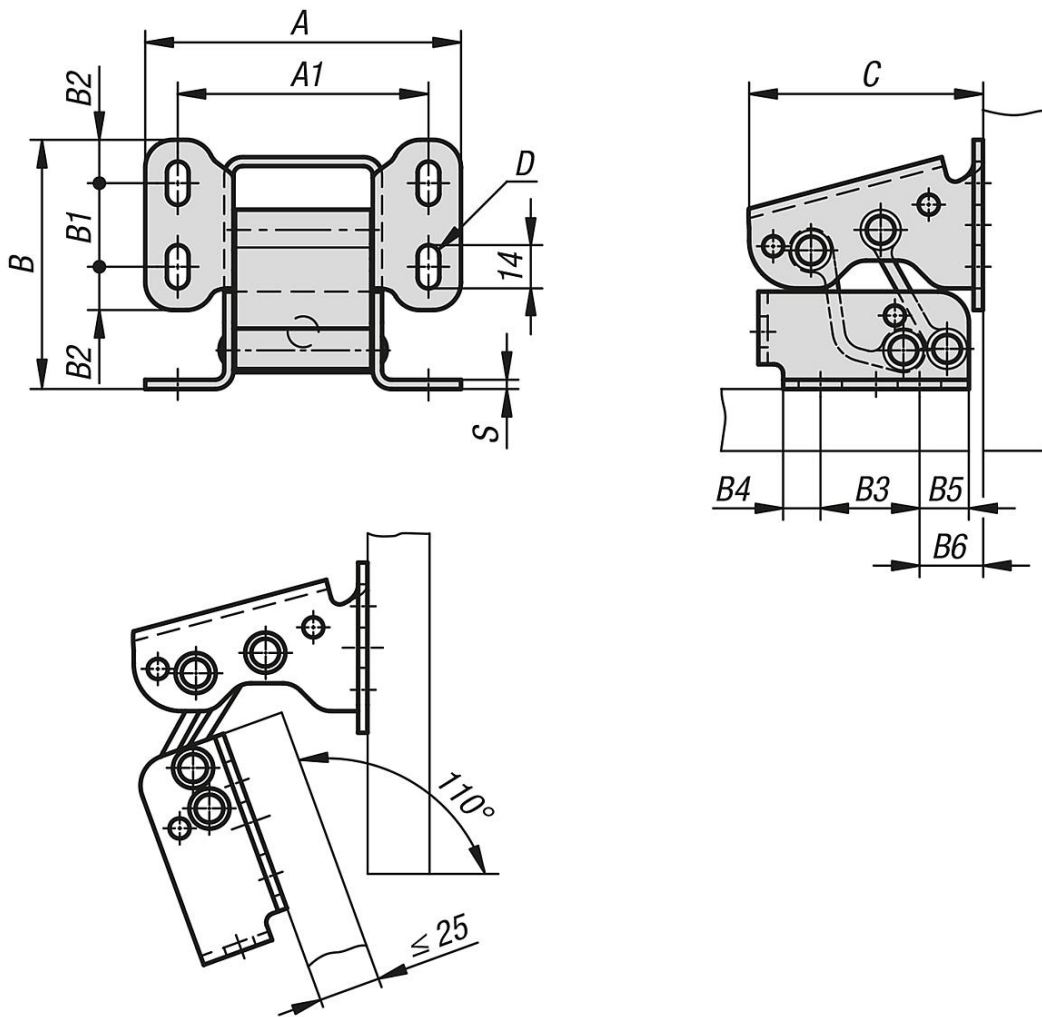
These hinges are the reinforced version.

When hung on 2 hinges a 25 kg door can be opened and closed 10,000 times.

**Application:**

Invisible hinges for overlapping or inset doors.

Drawings



Overview of items

Order No.	A	A1	B	B1	B2	B3	B4	B5	B6	C	D	S
27879-02-1028076	102	81	80,5	27	14	32	12	16	20,5	76	7	3