

Item description/product images

**Description****Material:**

Body and rotary table Al alloy, anodised.
 Spindle steel, case-hardened.
 Spindle bearing maintenance-free.
 Position indicator plastic.

Version:

Radial play of rotation axis < 0.015 mm.
 Axial play of rotation axis < 0.02 mm.
 Repeat accuracy < 0.05°.
 Spindle self-locking.

Note:

360° adjustment with no end stop.
 The position indicator displays in 0.1° increments clockwise. The angle of rotation is indicated directly on the large LCD display. The rotary stage rotates anti-clockwise.
 Reset, chain dimension and offset settings can be made via the keypad.
 2 years battery life. The battery is quick and easy to replace.
 The mounting position of the position indicator is set in 4 positions using one screw.

Transmission ratio:

21161-10-08 = 50:1
 21161-10-12 = 55:1
 21161-10-25 = 50:1

The modular design enables the rotary stage to be easily combined with other items of the same size.

Drawing reference:

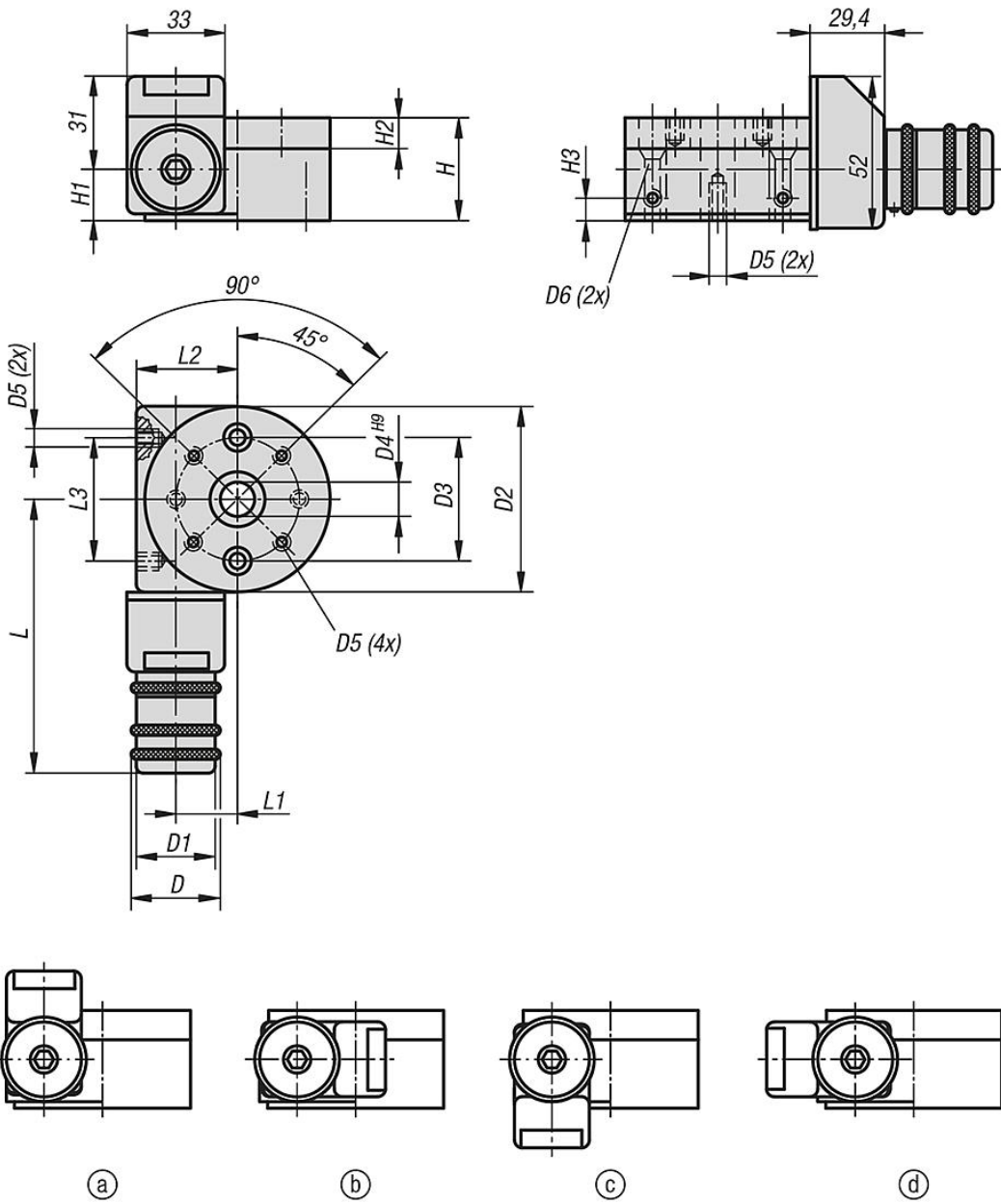
Assembly position of position indicator:

- a) top (standard)
- b) right
- c) bottom
- d) left

All counterbores to DIN 74-Bm (D6)

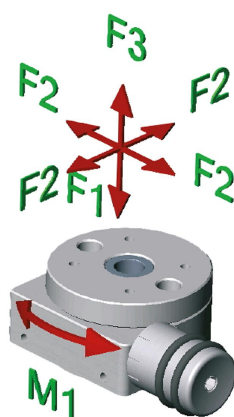
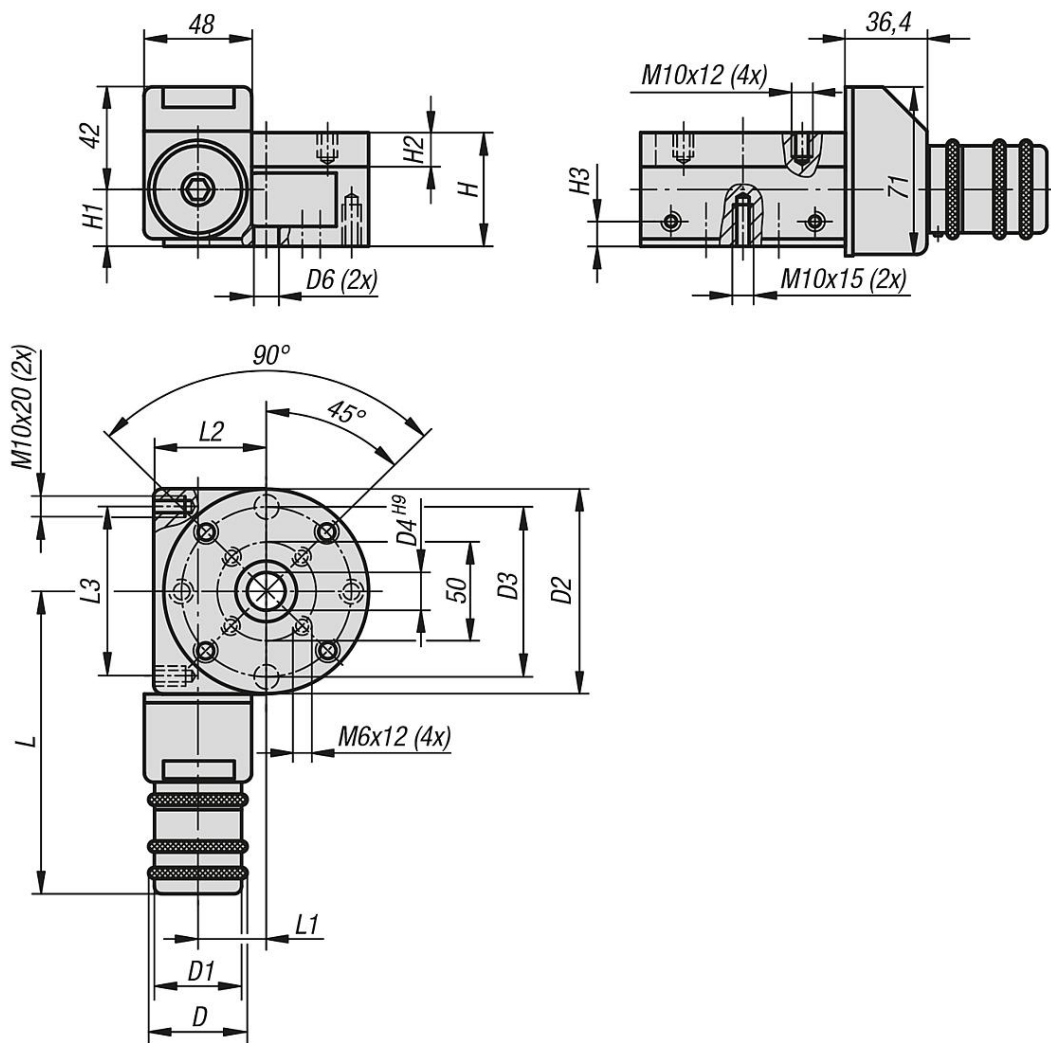
Drawings

21161-10-08
21161-10-12



Drawings

21161-10-25



Overview of items

Order No.	D	D1	D2	D3	D4	D5	D6	H	H1	H2	H3	L	L1	L2	L3	F1 N	F2 N	F3 N	M1 Nm
21161-10-08	26	23	54	36	10	M4x6	4	30	14	9	6	86	17	29	36	500	500	200	3
21161-10-12	26	23	80	60	15	M6x9	6	40	17,5	12	6	99	31	60	60	500	500	200	5
21161-10-25	51	46	150	130	40	-	10,4	75	35	18	12	161	53	80	130	1000	1000	500	10

