

Item description/product images

**Description****Material:**

Bearing block and carriage aluminium alloy, anodised.
Guide columns stainless steel, ground.
Spindle stainless steel, rolled thread.
Guide bearing maintenance-free.
Position indicator plastic.

Version:

Guide backlash < 0.05 mm.
Spindle self-locking, with additional lock.

Note:

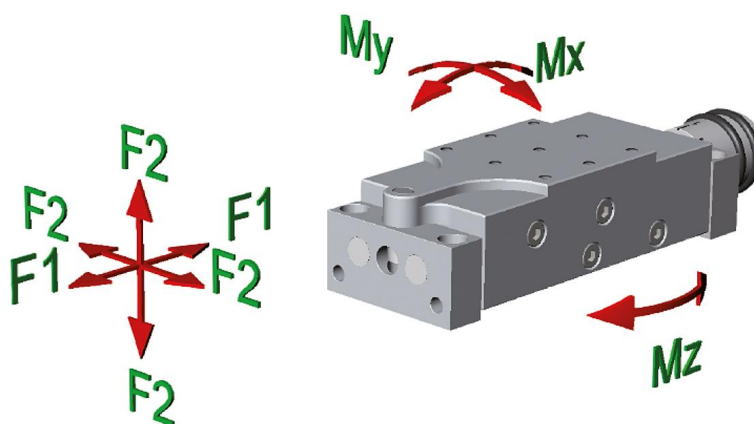
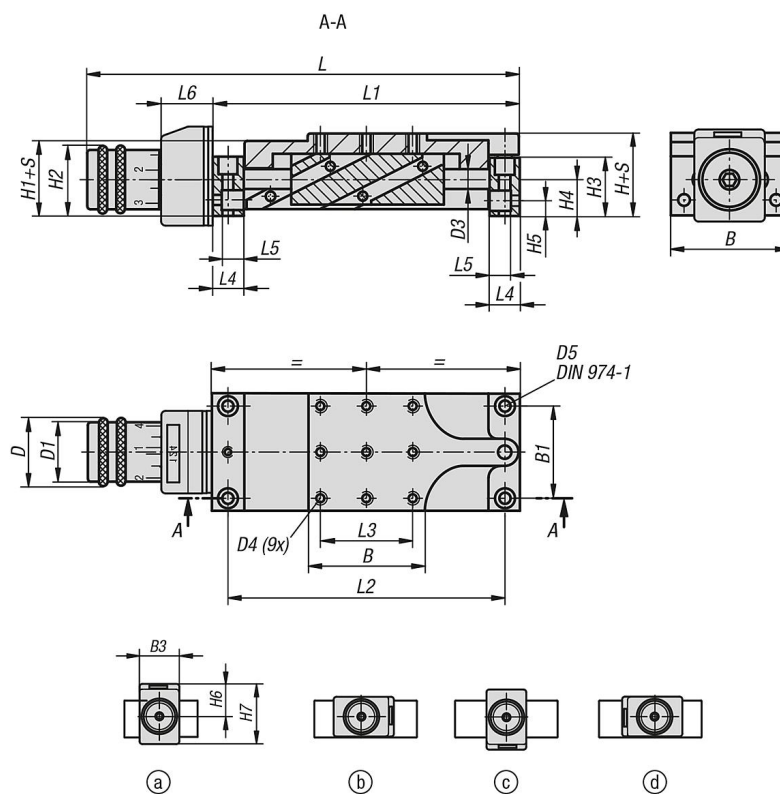
For height-positioning of components and assemblies of all types (e.g. stops, sensors, limit switches, tables, cameras, entire assemblies, etc.). Electronic position indicator with 0.01 mm display accuracy and large LCD display. Reset, chain dimension and offset settings can be made via the keypad.
2 years battery life. The battery is quick and easy to replace.
The mounting position of the position indicator is set in 4 positions using one screw.
The modular design enables the vertical stage to be easily combined with positioning stages, cross slides and other accessories of the same size.

Drawing reference:

Mounting position of the position indicator:

- a) top (standard)
- b) right
- c) bottom not possible for 21142-25
- d) left

Drawings



Overview of items

Order No.	B	B1	B3	D	D1	D3	D4	D5	H	H1	H2	H3	H4	H5	H6	H7	L	L1	L2	L3	L4	L5	L6	Travel S	F1 N	F2 N	Mx Nm	My Nm	Mz Nm
21142-08	46	36	33	26	23	8	M4	4	32	29	27	23	14	6	31	52	179	120	108	36	12	8,5	29,4	8	80	100	2,5	2,5	5
21142-12	75	60	33	26	23	12	M6	6	38	36	28,5	27	15,5	7	31	52	239	180	165	60	15	11	29,4	12	150	200	10	10	20
21142-25	150	130	48	52	46	25	M10	10	68	64	54	52	28	13	42,4	71,4	376	290	265	130	25	18	36,4	25	500	700	50	50	100