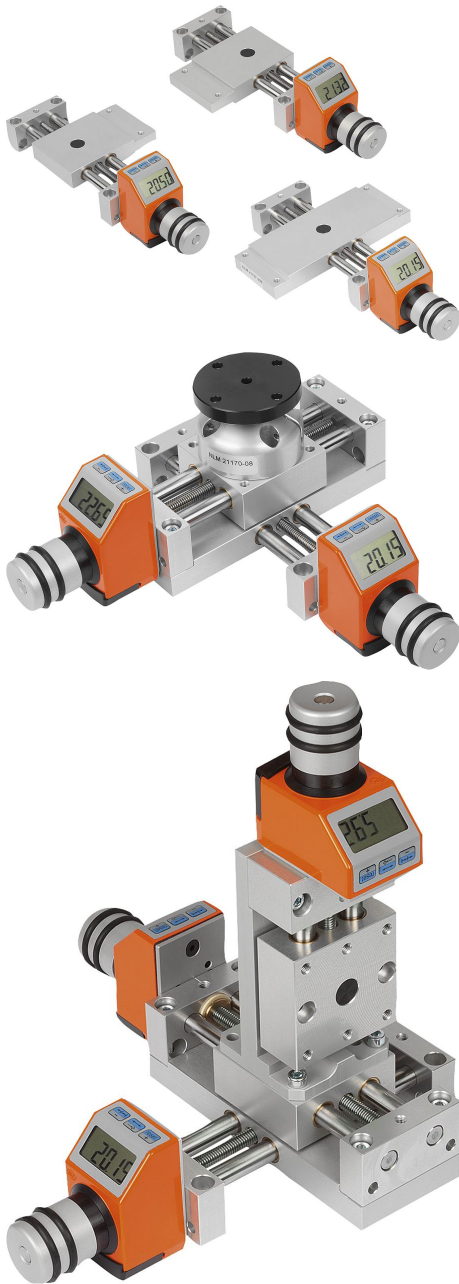


Item description/product images



Description

Material:

Bearing block and carriage aluminium alloy, anodised.
 Guide columns stainless steel, ground.
 Spindle stainless steel, rolled thread.
 Guide bearing maintenance-free.
 Position indicator plastic.

Version:

Radial play on guide < 0.02 mm.
 No axial backlash.
 Spindle self-locking, with additional lock.

Note:

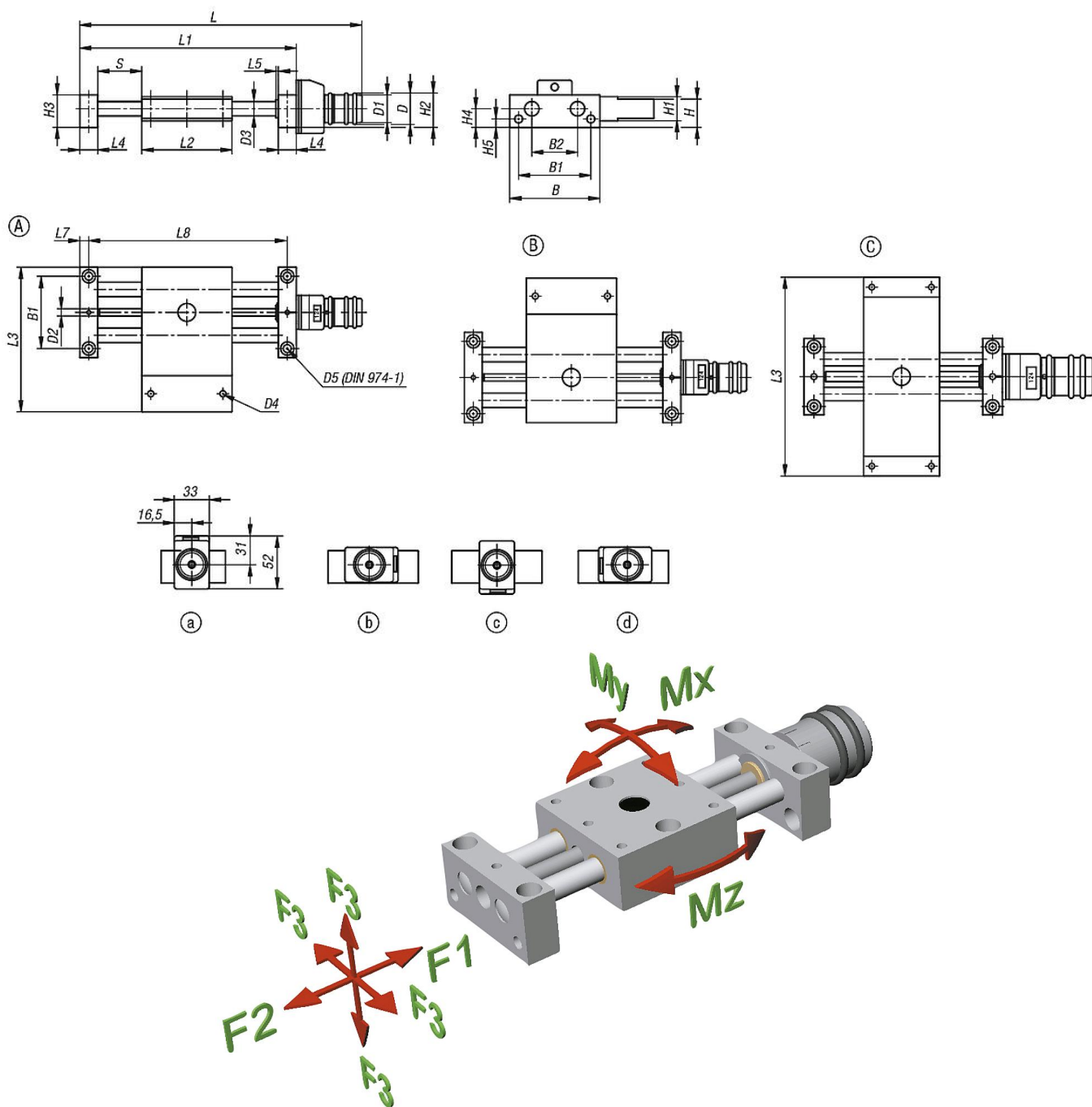
The almost play-free guides and absolutely play-free spindle enables adjustment without the need to loosen or clamp the spindle.
 Electronic position indicator with 0.01 mm display accuracy and large LCD display. Reset, chain dimension and offset settings can be made via the keypad.
 2 years battery life. The battery is quick and easy to replace.
 The mounting position of the position indicator is set in 4 positions using one screw.
 The modular design enables the cross slide to be easily combined with positioning stages, vertical stages and other accessories of the same size.

Drawing reference:

Assembly position of position indicator:

- a) top (standard)
- b) right
- c) bottom
- d) left

Drawings



Overview of items

Order No.	Form	B	B1	B2	D	D1	D2	D3	D4	D5	H	H1	H2	H3	H4	H5	L	L1	L2	L3	L4	L5	L7	L8	Travel S	F1 N	F2 N	F3 N	Mx Nm	My Nm	Mz Nm
21137-108	A	46	36	21	26	23	M6x1	8	M4	4	18	14	27	23	14	6	179	120	46	75	12	2	6	108	48	200	200	200	3,6	3,6	3,6
21137-112	A	75	60	38	26	23	M6x1	12	M6	6	23,5	20	29	27	15,5	7	239	180	75	120	15	2	7,5	165	73	300	300	300	18	18	18
21137-208	B	46	36	21	26	23	M6x1	8	M4	4	18	14	27	23	14	6	179	120	46	75	12	2	6	108	48	200	200	200	3,6	3,6	3,6
21137-212	B	75	60	38	26	23	M6x1	12	M6	6	23,5	20	29	27	15,5	7	239	180	75	120	15	2	7,5	165	73	300	300	300	18	18	18
21137-308	C	46	36	21	26	23	M6x1	8	M4	4	18	14	27	23	14	6	179	120	46	120	12	2	6	108	48	200	200	200	3,6	3,6	3,6
21137-312	C	75	60	38	26	23	M6x1	12	M6	6	23,5	20	29	27	15,5	7	239	180	75	180	15	2	7,5	165	73	300	300	300	18	18	18

